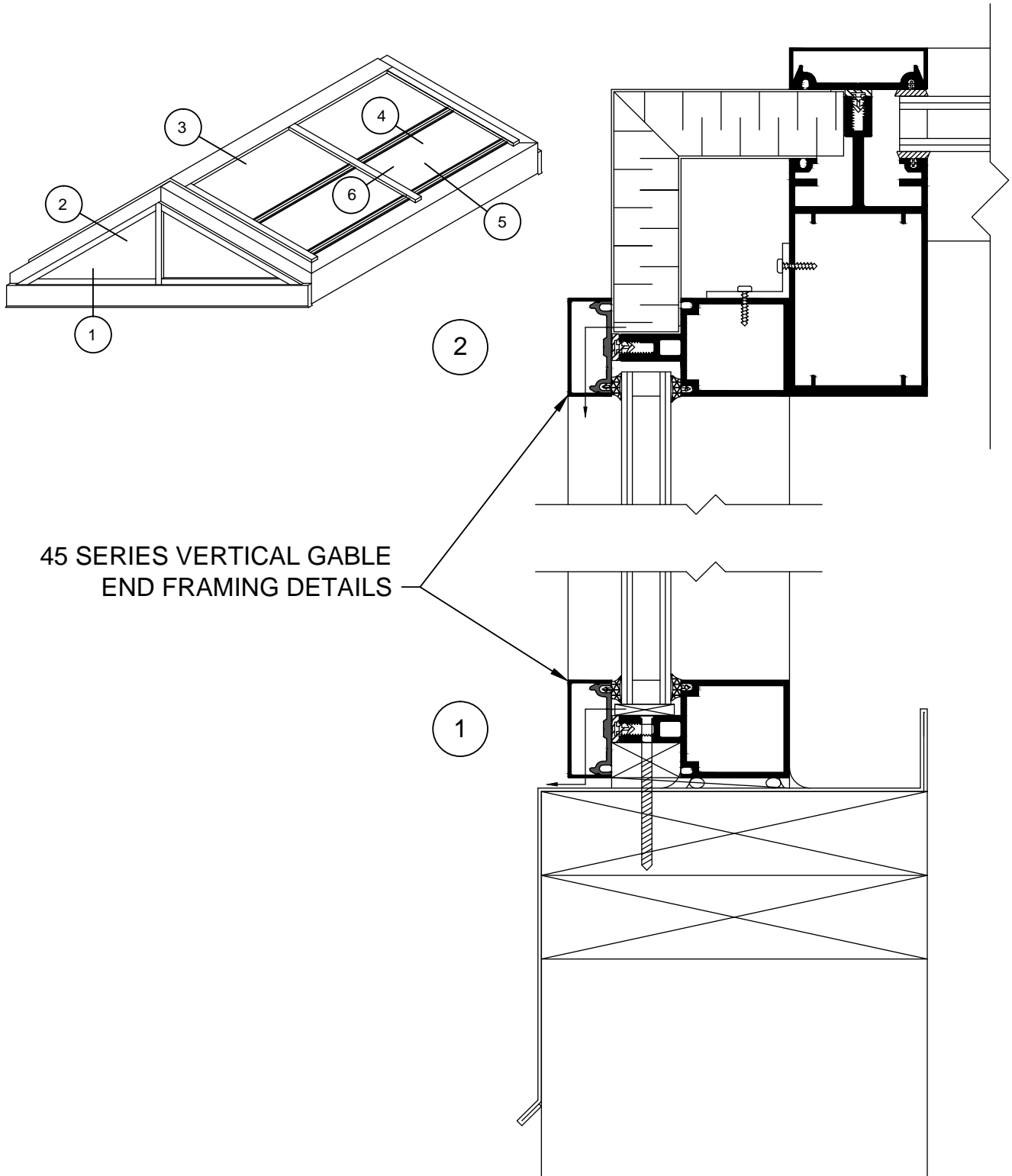


6400 SERIES SKYLIGHT FRAMING DETAILS

F2



45 SERIES VERTICAL GABLE
END FRAMING DETAILS

SCALE: 3/8" = 1"

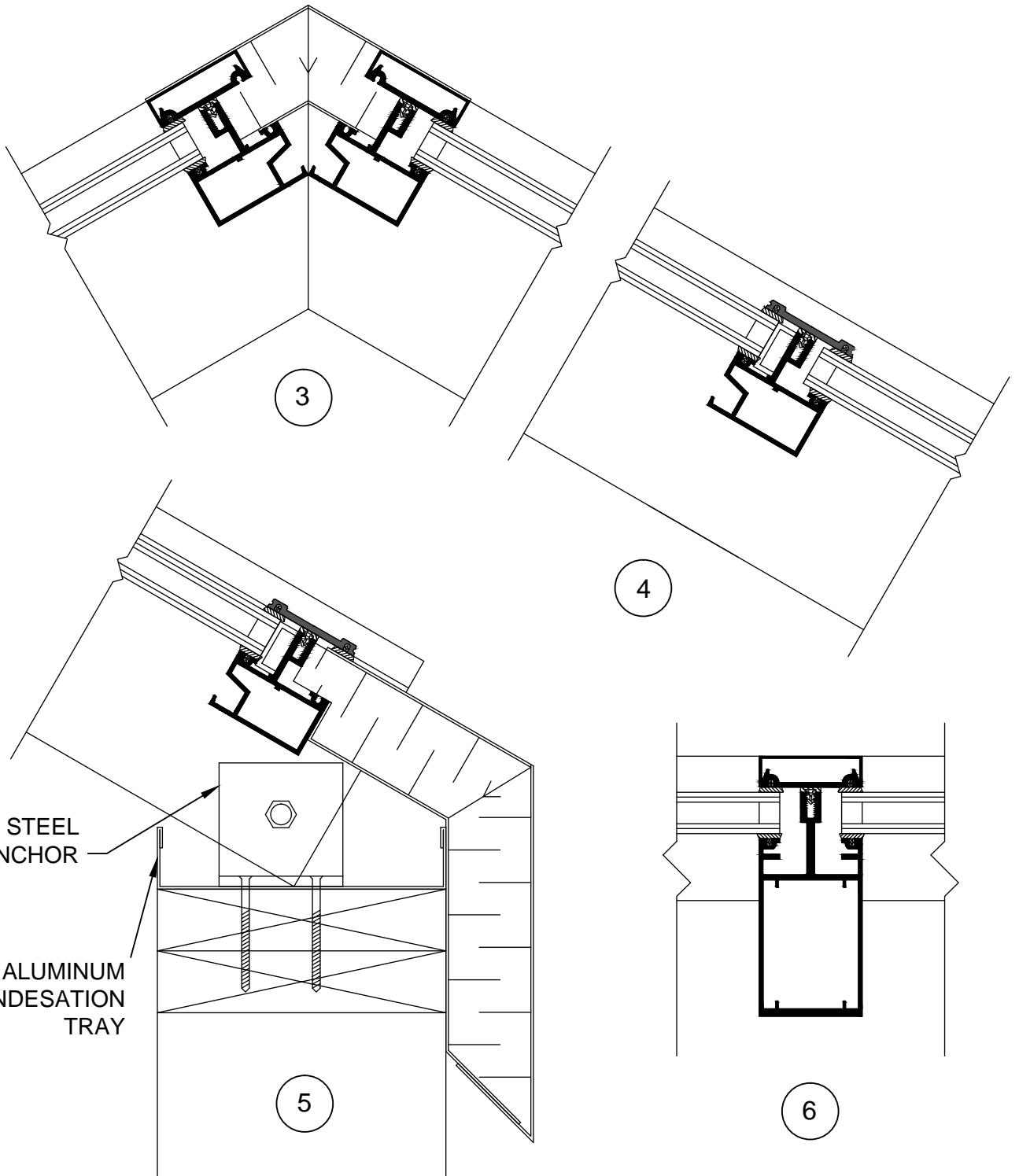


providing innovative solutions that meet client needs.

08/11

6400 SERIES SKYLIGHT FRAMING DETAILS

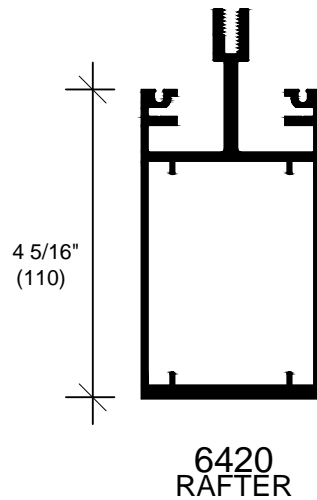
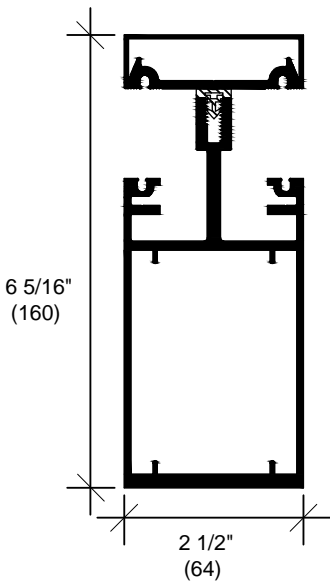
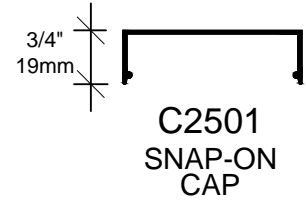
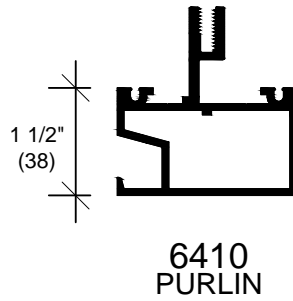
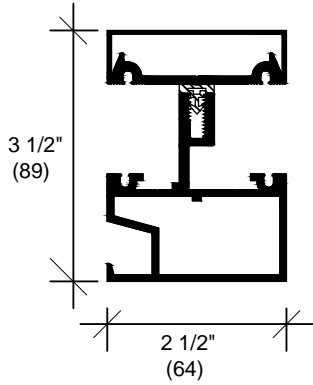
F3



providing innovative solutions that meet client needs.

6400 SERIES SKYLIGHT FRAMING PARTS

F4



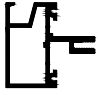






SCALE: 3/8" = 1"



providing innovative solutions that meet client needs.

6400 SERIES SKYLIGHT PARTS LIST

F5

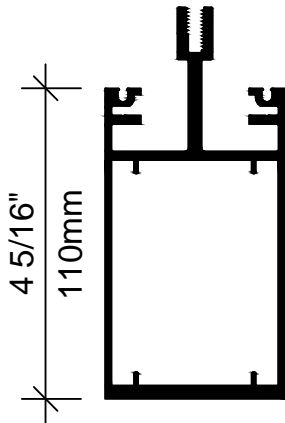
PART	PART NO.	DESCRIPTION	STOCK LENGTH IN METRES	FINISH	
				CLEAR ANODIZED	BRONZE ANODIZED
	6410	PURLIN	7.39		
	6420	RAFTER	7.39		
	C2501	3/4" SNAP ON CAP	7.39		
	C2505	PRE PUNCHED DRY GLAZED PRESSURE PLATE	7.39		
	C6405	ANODIZED NON-PUNCHED CAPLESS PRESSURE PLATE	7.39		
	N454	FIXED GLAZING GASKET	152.4 M (500') PER ROLL		
	TB634	THERMAL BARRIER	152.4 M (500') PER ROLL		



providing innovative solutions that meet client needs.

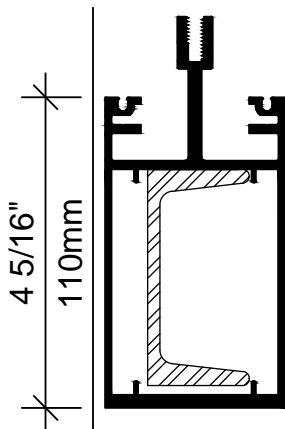
6400 SERIES SKYLIGHT STRUCTURAL LIMITATIONS

F6



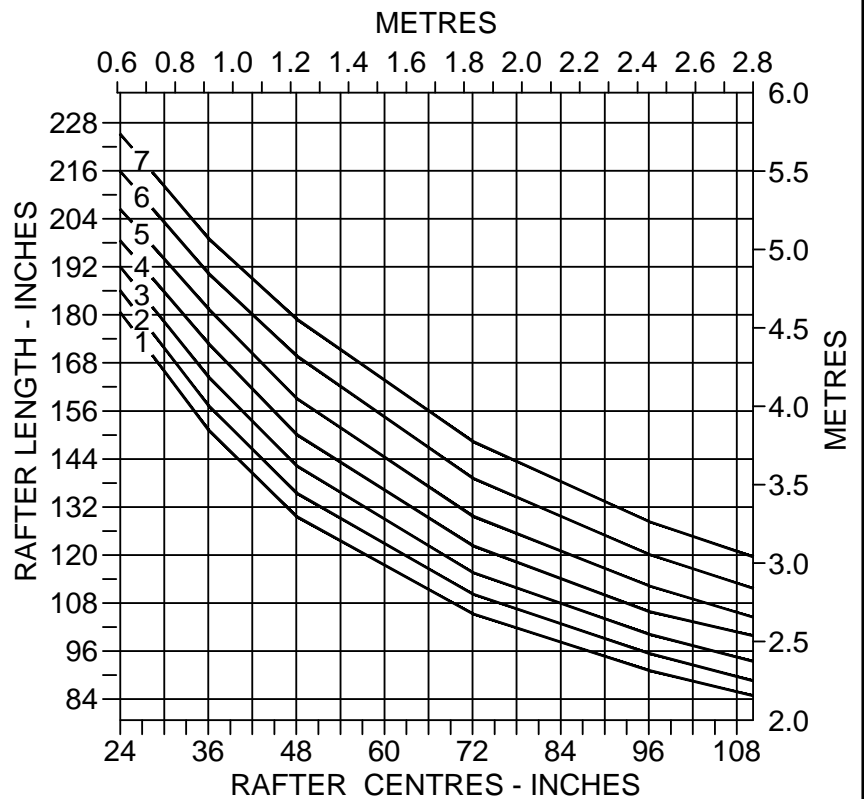
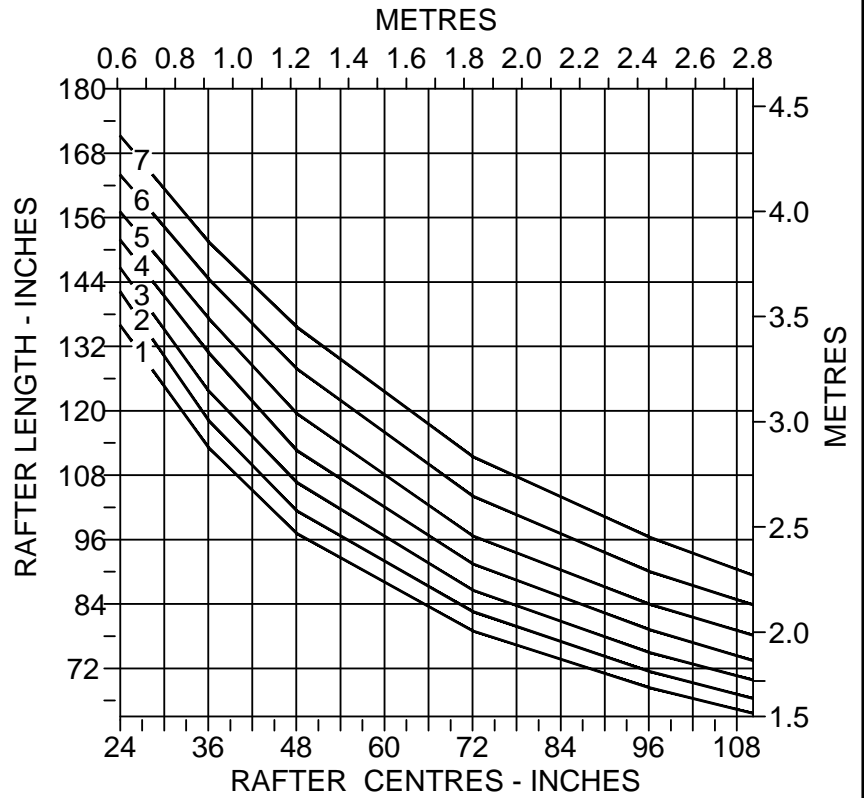
6420

- ① - 2.40 kPa (50 PSF)
- ② - 2.16 kPa (45 PSF)
- ③ - 1.92 kPa (40 PSF)
- ④ - 1.68 kPa (35 PSF)
- ⑤ - 1.44 kPa (30 PSF)
- ⑥ - 1.20 kPa (25 PSF)
- ⑦ - 1.00 kPa (21 PSF)



6420

(C/W C3 X 4.1)



providing innovative solutions that meet client needs.