

## Part 1 - GENERAL

### Description

Work included: Furnish materials, labour and equipment for the complete installation of aluminum skylight systems as detailed on the drawings and specified herein.

Work not included: See Specifier list. Structural support of framing, interior building trims.

Related work specified elsewhere: See Specifier list

### Quality Assurance

Drawings and specifications for work in this section are based upon **DESA 6400** series framing system. Whenever alternative products are to be considered, submit supporting technical literature and samples for review and comparison by Consultant 10 days prior to closing date.

### Performance

Framing system to fully comply with **CAN/CSA-A440, Windows**.

Air infiltration shall meet the FIXED rating.

Water infiltration shall meet the required \_\_\_\_ (select up to B7) rating.

Intermediate mullions and horizontals shall be designed to withstand loading in accordance with the National Building Code of Canada and/or the Alberta Building Code.

Condensation resistance temperature index of the framing shall be a minimum of 55.2.

### Maintenance and Guarantee

Provide maintenance and cleaning data in accordance with instructions under General Conditions.

Provide a written guarantee from substantial completion for a period of one year on the complete installation of materials and workmanship provided under this section.

## Part 2 - PRODUCTS

### Materials

Extrusions shall be 6063 T6 alloy and temper, formed aluminum components shall be of suitable alloy and strength to suit their purpose and function.

Fasteners shall be made of corrosion-resistant and compatible materials and of sufficient size and strength to perform their intended function.

Glazing gaskets shall be extruded black, santoprene of durometer appropriate to perform their intended function.

Weathering shall be elastomeric of size and density appropriate for their intended function.

Selected framing system shall be:

**-6400 series 2 1/2" (64) wide thermally improved skylight framing system for sealed unit glazing.**

This system incorporates gutters in the horizontal purlins and provides drainage channels that lead to exterior weep holes achieving full rain screen capabilities.

### Fabrication

Construct framing from extrusions of size and shape as shown on shop drawings. All framing joints shall be accurately cut and machined and sealed to allow neat watertight connections with all extrusions. Rafters and purlins within the system shall be designed with 1/2" vertical offset overlap joinery allowing moisture to enter the rafter drainage channels.

All horizontal members shall be sealed to vertical members to provide individual compartments within the system in accordance with the rain screen principle and must form individually pressure equalized and sealed cells.

### Finish

All exposed surfaces shall be free of scratches and defects. Aluminum extrusions shall be finished as selected by Specifier.

Standard Clear Anodizing: AA-M12C22A31

Standard Bronze Anodizing: AA-M12C22A34

Standard Black Anodizing: AA-M12C22A44

Duracron Acrylic Enamel: AAMA 2603

Duracron Fluoropolymer Paint: AAMA 2605

Various Bronze Anodizing colours and Paint qualities are available upon request by the Specifier.

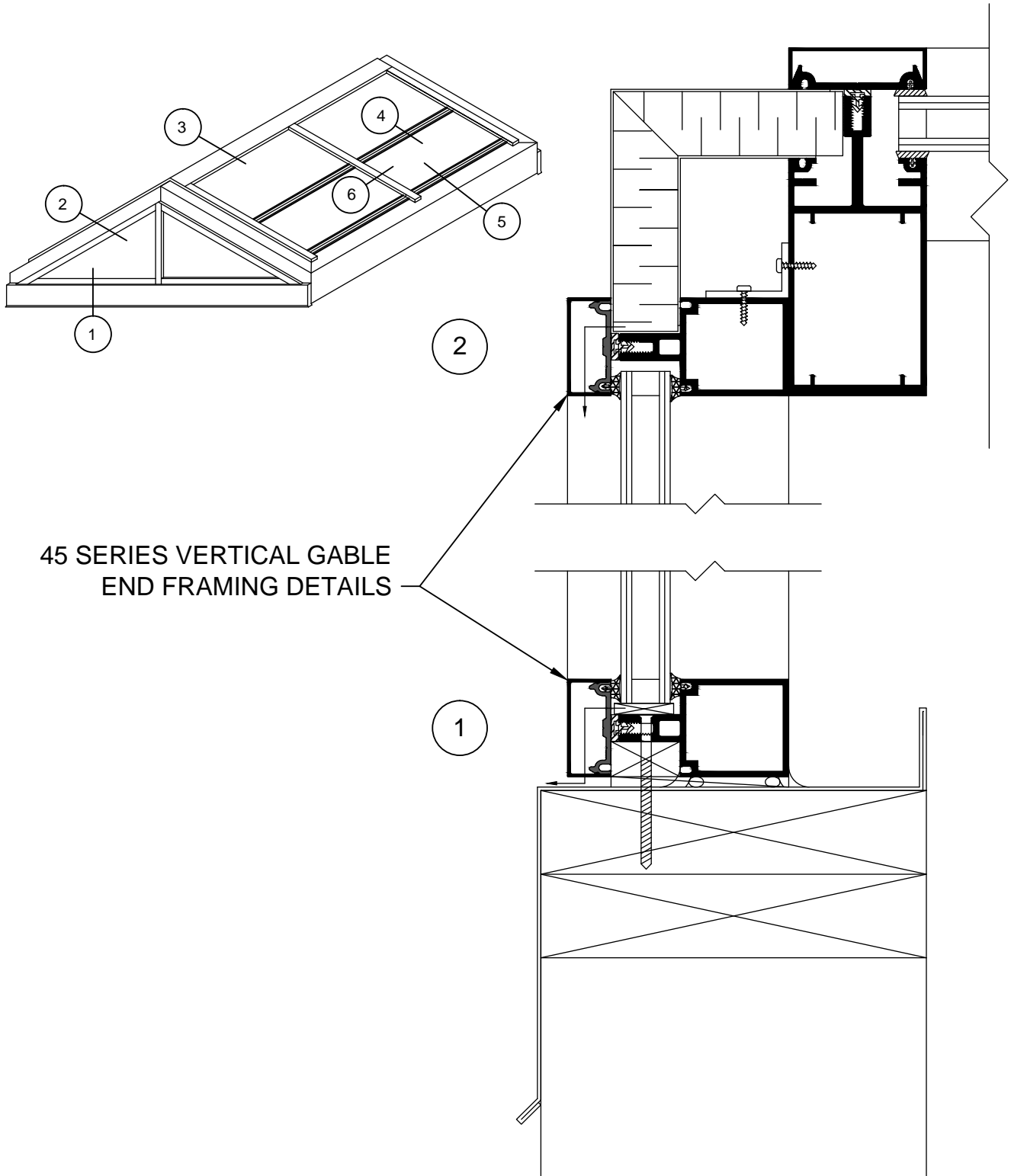
### Installation

Framing shall be installed, glazed and adjusted accordingly to the manufacturer's instructions and approved shop drawings. All items in this section shall be set level, square and plumb and at their correct location and alignment with other work.



# 6400 SERIES SKYLIGHT FRAMING DETAILS

# F2



45 SERIES VERTICAL GABLE  
END FRAMING DETAILS

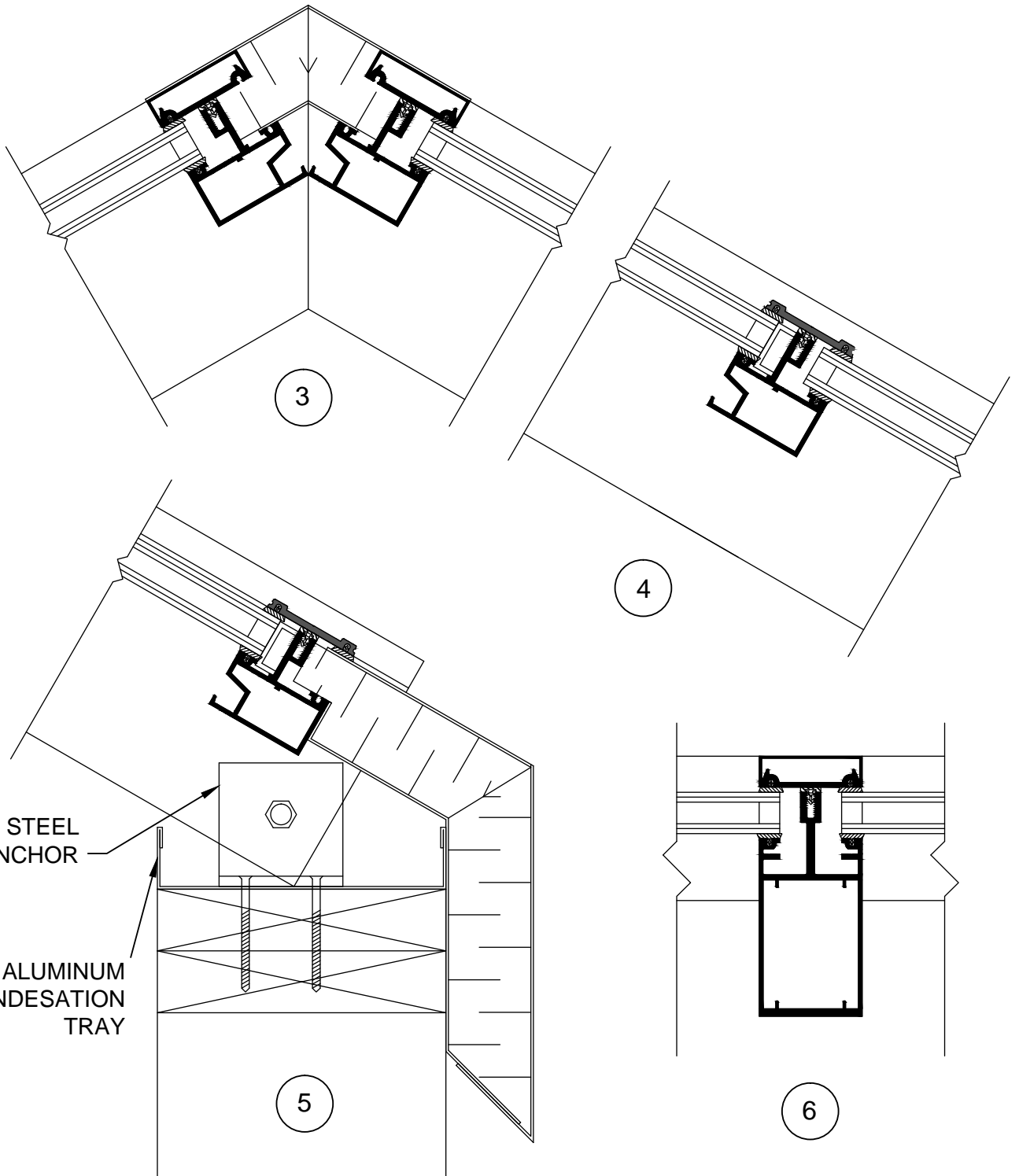
SCALE: 3/8" = 1"



providing innovative solutions that meet client needs.

# 6400 SERIES SKYLIGHT FRAMING DETAILS

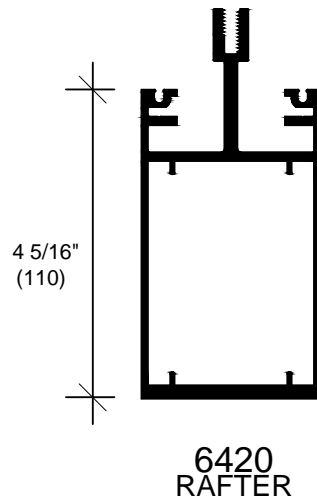
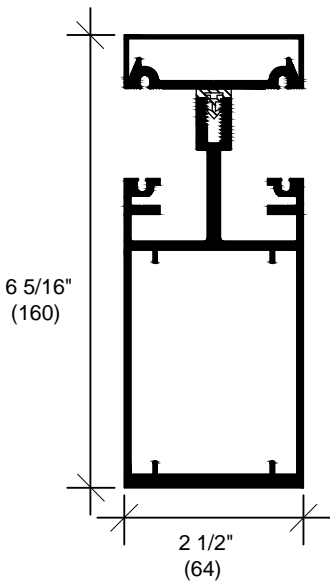
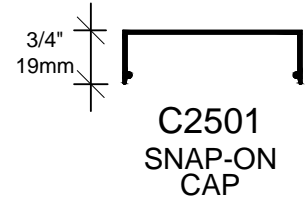
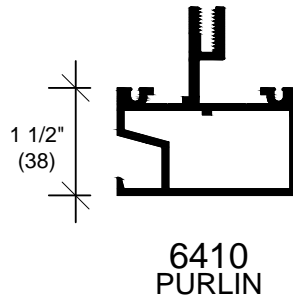
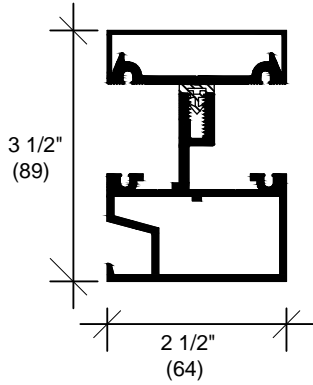
# F3



providing innovative solutions that meet client needs.

# 6400 SERIES SKYLIGHT FRAMING PARTS

# F4










SCALE: 3/8" = 1"



providing innovative solutions that meet client needs.

# 6400 SERIES SKYLIGHT PARTS LIST

# F5

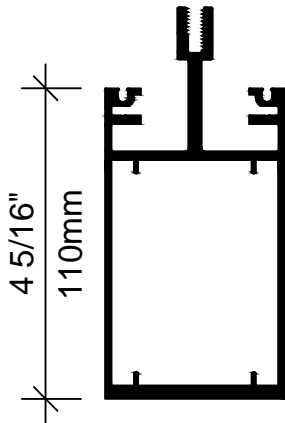
PART	PART NO.	DESCRIPTION	STOCK LENGTH IN METRES	FINISH	
				CLEAR ANODIZED	BRONZE ANODIZED
	6410	PURLIN	7.39		
	6420	RAFTER	7.39		
	C2501	3/4" SNAP ON CAP	7.39		
	C2505	PRE PUNCHED DRY GLAZED PRESSURE PLATE	7.39		
	C6405	ANODIZED NON-PUNCHED CAPLESS PRESSURE PLATE	7.39		
	N454	FIXED GLAZING GASKET	152.4 M (500') PER ROLL		
	TB634	THERMAL BARRIER	152.4 M (500') PER ROLL		



providing innovative solutions that meet client needs.

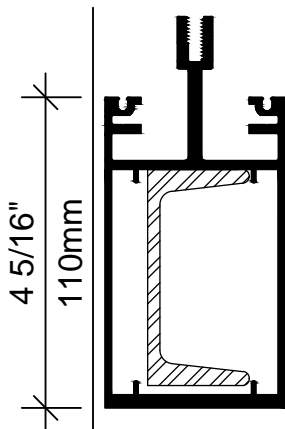
# 6400 SERIES SKYLIGHT STRUCTURAL LIMITATIONS

# F6



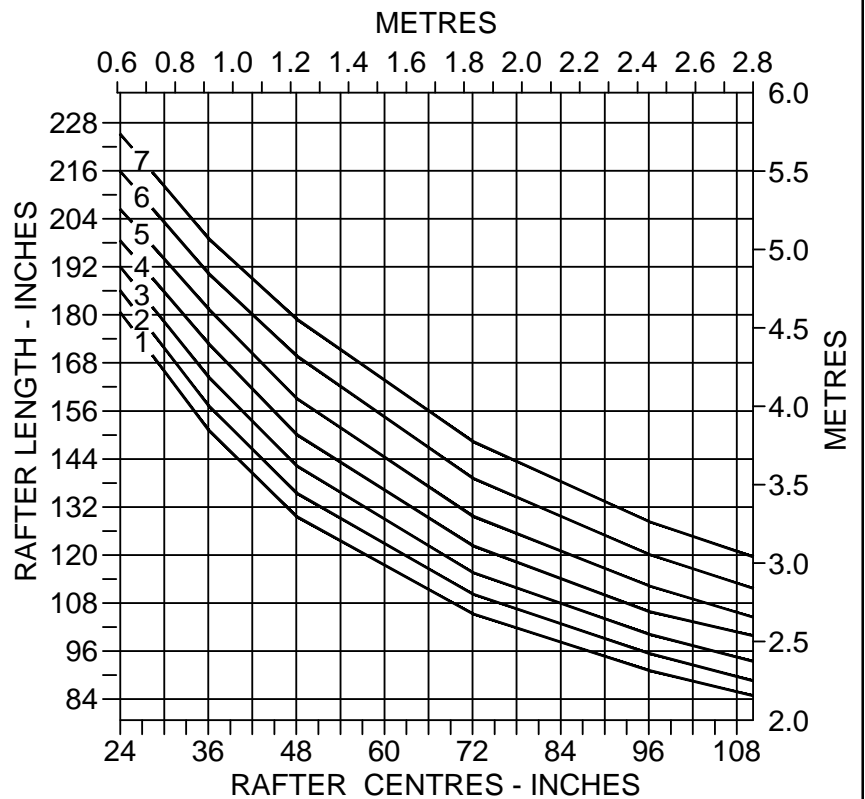
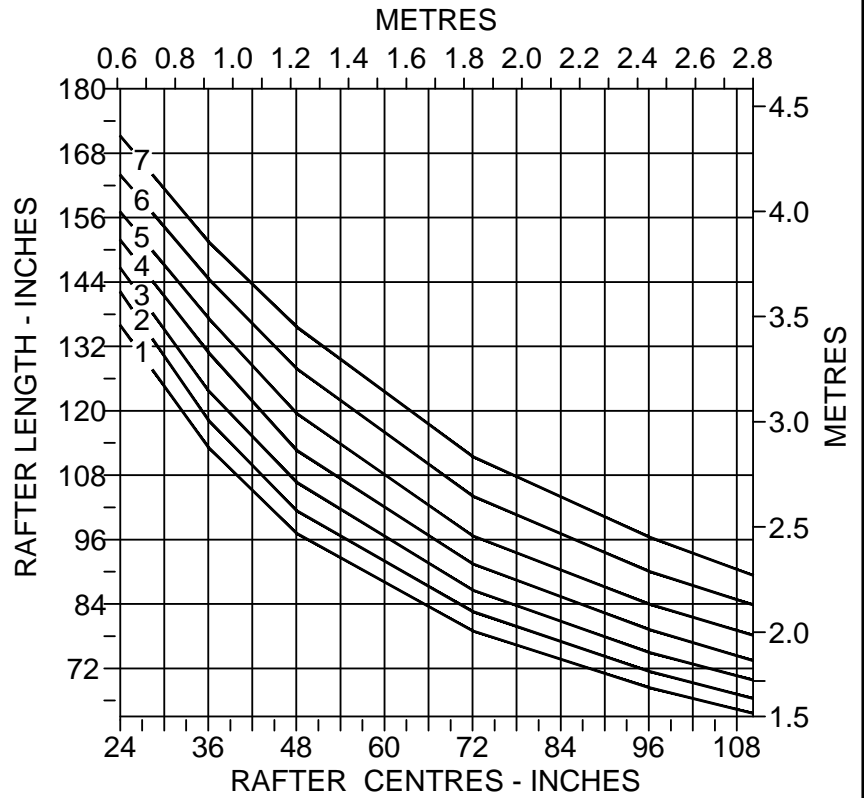
6420

- ① - 2.40 kPa (50 PSF)
- ② - 2.16 kPa (45 PSF)
- ③ - 1.92 kPa (40 PSF)
- ④ - 1.68 kPa (35 PSF)
- ⑤ - 1.44 kPa (30 PSF)
- ⑥ - 1.20 kPa (25 PSF)
- ⑦ - 1.00 kPa (21 PSF)



6420

(C/W C3 X 4.1)



providing innovative solutions that meet client needs.