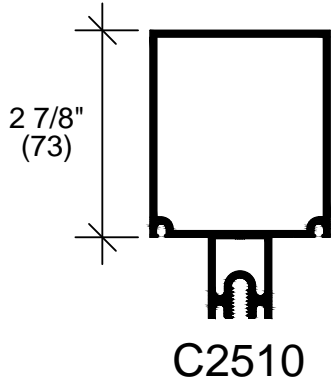
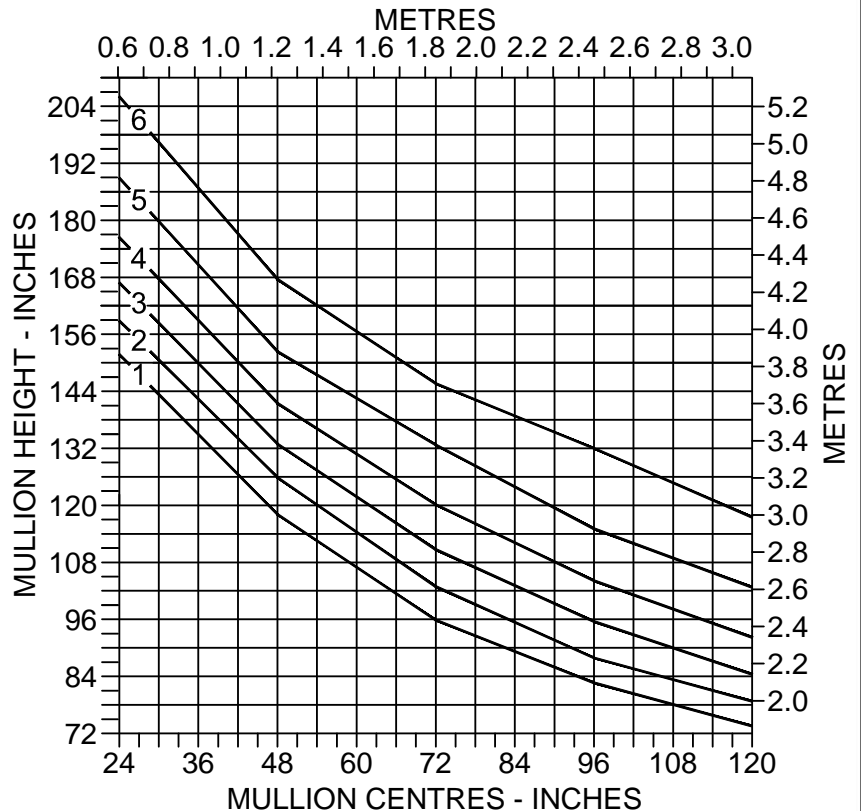
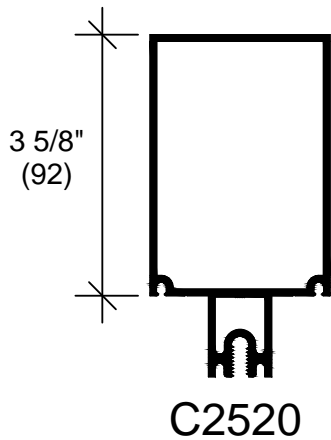
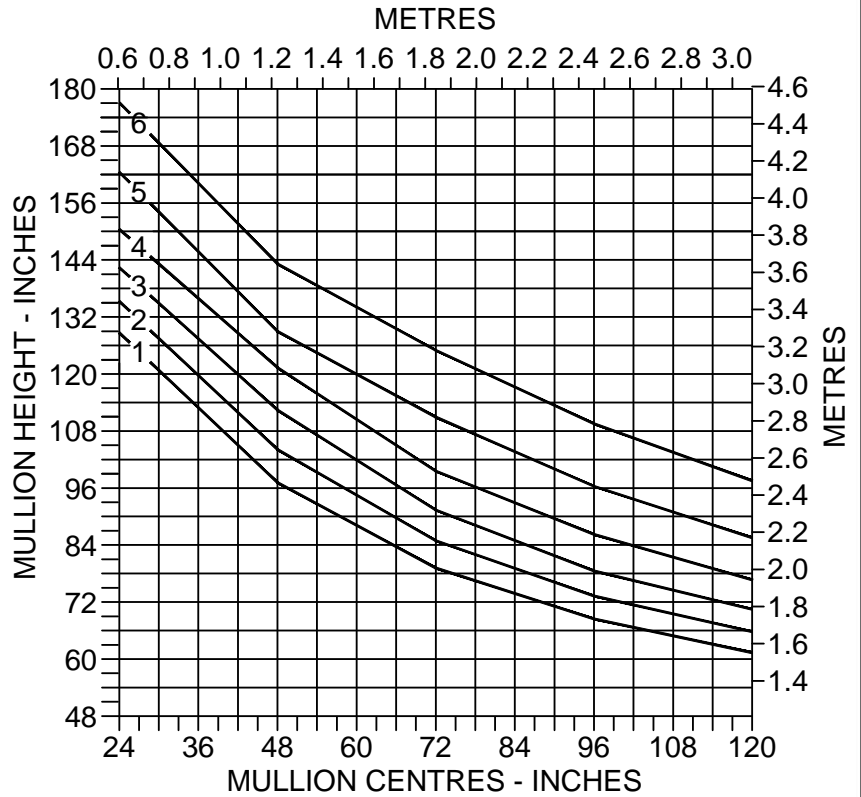


2500 SERIES CURTAIN WALL WIND LOAD CHARTS

E21



- ① - 1.92 kPa (40 PSF)
- ② - 1.68 kPa (35 PSF)
- ③ - 1.44 kPa (30 PSF)
- ④ - 1.20 kPa (25 PSF)
- ⑤ - .96 kPa (20 PSF)
- ⑥ - .72 kPa (15 PSF)



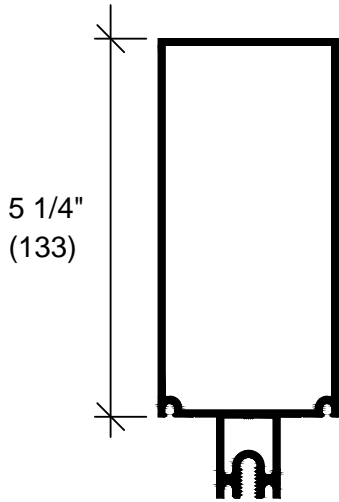
DEFLECTION CRITERION: L/175
OR L/240+1/4"



providing innovative solutions that meet client needs.

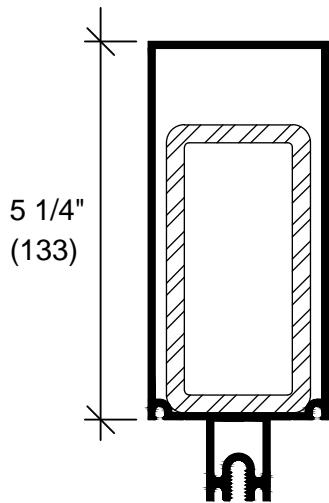
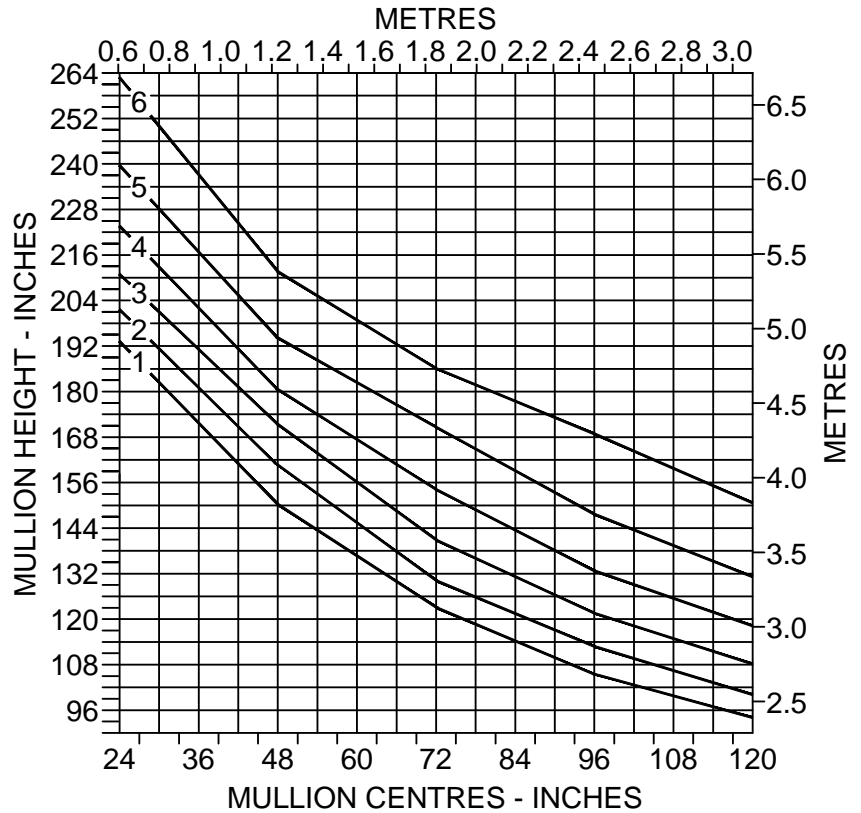
2500 SERIES CURTAIN WALL WIND LOAD CHARTS

E22



C2530

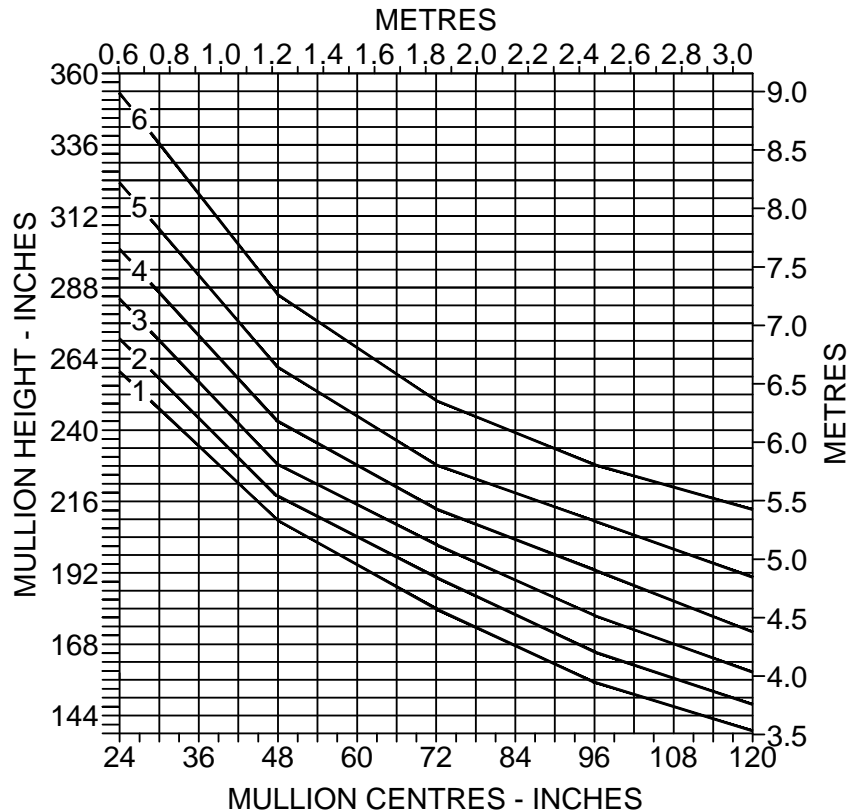
- ① - 1.92 kPa (40 PSF)
- ② - 1.68 kPa (35 PSF)
- ③ - 1.44 kPa (30 PSF)
- ④ - 1.20 kPa (25 PSF)
- ⑤ - .96 kPa (20 PSF)
- ⑥ - .72 kPa (15 PSF)



C2530

(C/W 4" X 2" X 1/4"
HSS TUBE)

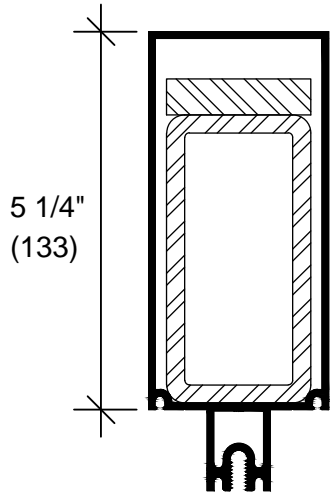
DEFLECTION CRITERION: L/175
OR L/240+1/4"



providing innovative solutions that meet client needs.

2500 SERIES CURTAIN WALL WIND LOAD CHARTS

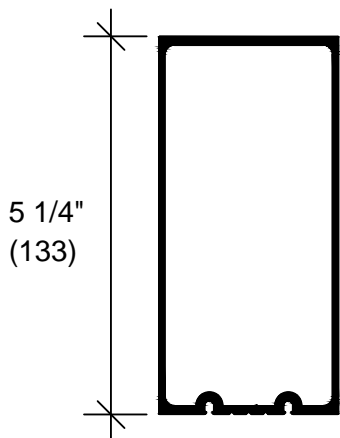
E23



C2530

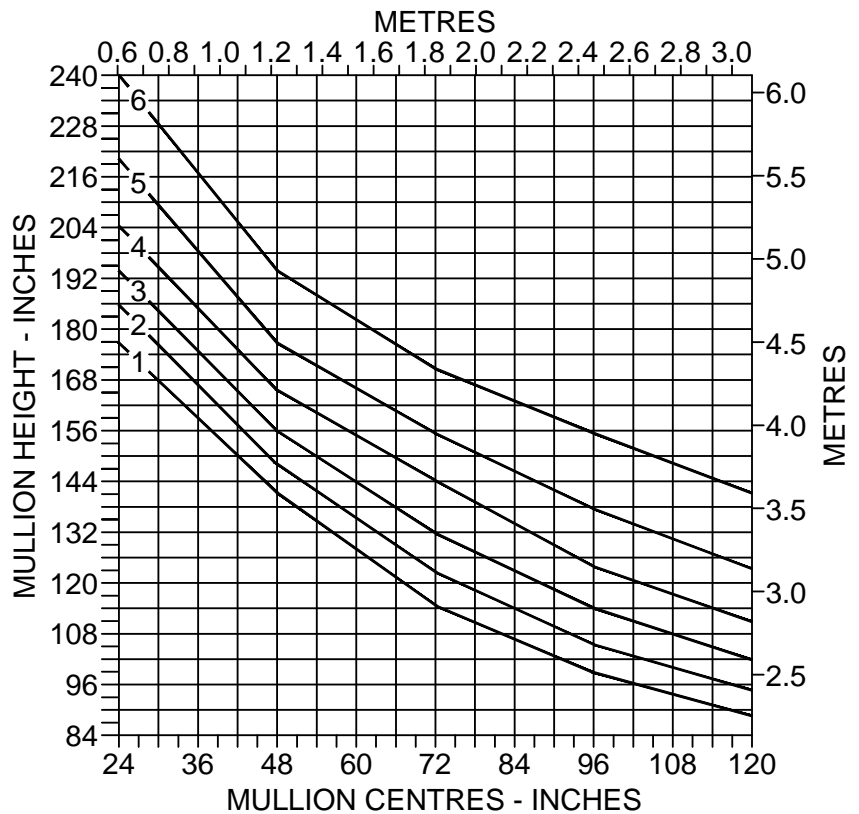
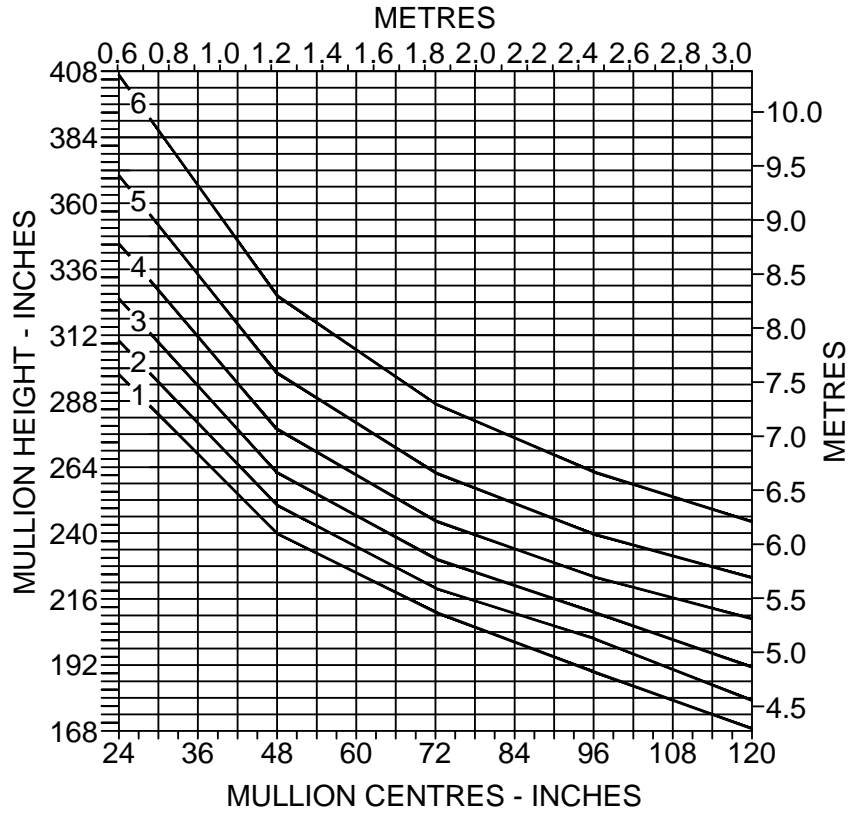
(C/W 4" X 2" X 1/4" HSS
TUBE W/
2" X 3/4" PLATE)

- ① - 1.92 kPa (40 PSF)
- ② - 1.68 kPa (35 PSF)
- ③ - 1.44 kPa (30 PSF)
- ④ - 1.20 kPa (25 PSF)
- ⑤ - .96 kPa (20 PSF)
- ⑥ - .72 kPa (15 PSF)



C2540

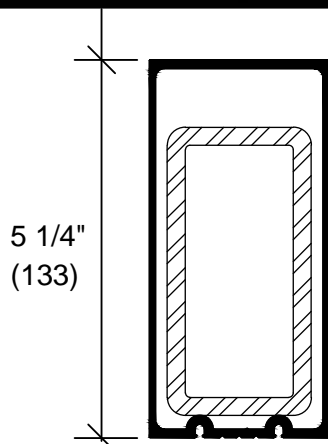
DEFLECTION CRITERION: L/175
OR L/240+1/4"



providing innovative solutions that meet client needs.

2500 SERIES CURTAIN WALL WIND LOAD CHARTS

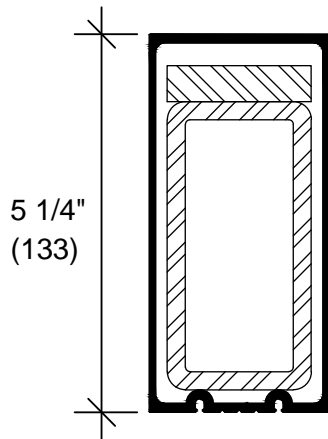
E24



C2540

(C/W 4" X 2" X 1/4" HSS TUBE)

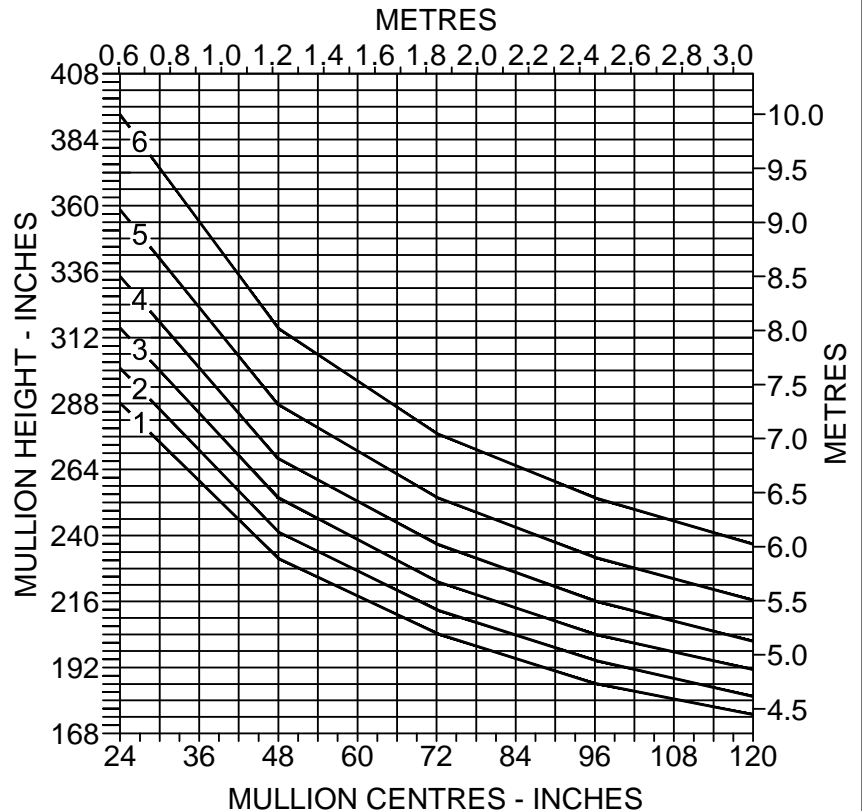
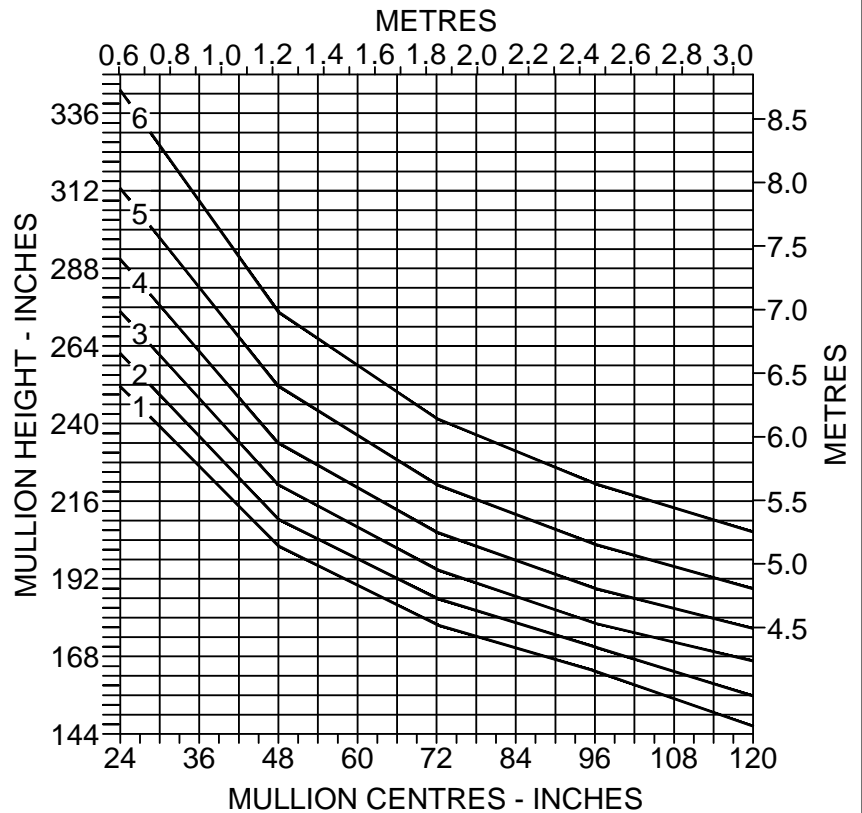
- ① - 1.92 kPa (40 PSF)
- ② - 1.68 kPa (35 PSF)
- ③ - 1.44 kPa (30 PSF)
- ④ - 1.20 kPa (25 PSF)
- ⑤ - .96 kPa (20 PSF)
- ⑥ - .72 kPa (15 PSF)



C2540

(C/W 4" X 2" X 1/4" HSS TUBE W/
2" X 3/4" PLATE)

DEFLECTION CRITERION: L/175
OR L/240+1/4"



providing innovative solutions that meet client needs.