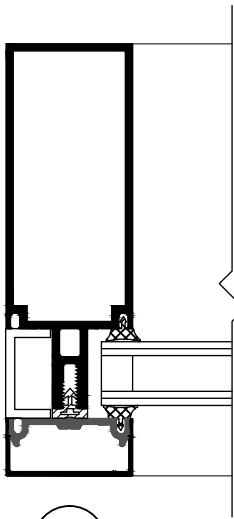
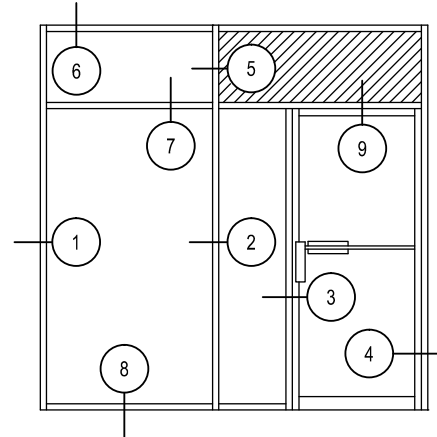


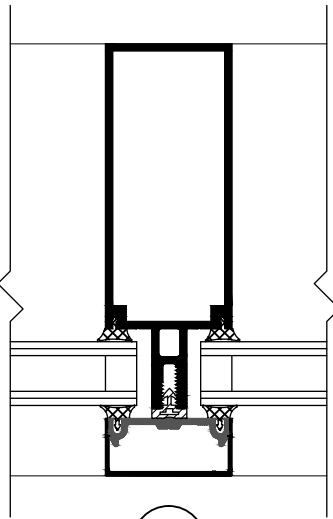
# 45 SERIES CURTAIN WALL FRAMING DETAILS

# E2

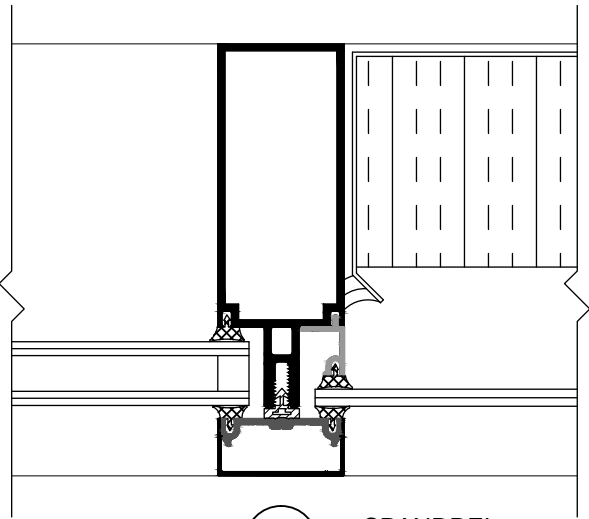
- 45 SERIES 1 3/4"(45MM) WIDE THERMALLY IMPROVED CURTAIN WALL FRAMING SYSTEM CAN BE USED FOR VARIOUS APPLICATIONS, SUCH AS STOREFRONTS AND ENTRANCE FRAMING, OR HIGH PERFORMANCE PUNCHED WINDOWS AND HORIZONTAL STRIP WINDOWS.
- RANGE OF MULLION DEPTHS AVAILABLE: 1-15/16"(50MM), 2-15/16"(75MM), 3-15/16"(100MM) OR 5-1/4" (133MM) FOR OPTIMUM STRUCTURAL REQUIREMENTS COMBINED WITH A 3/4" (20MM) EXTERIOR SNAP CAP TO SUIT THE REQUIRED DESIGN PARAMETERS.
- FRAMING SYSTEM OFFERS PRESSURE EQUALIZED RAIN SCREEN CAPABILITIES WITH THE DRY/DRY GLAZING GASKET METHOD AND VENTED HORIZONTAL MULLION GLAZING POCKETS.
- FRAMING SYSTEM ALLOWS FOR EXTERIOR AND INTERIOR COLOUR COMBINATIONS.
- OFFERS A NARROW 1 3/4" SIGHT LINE AND IS TOTALLY COMPATIBLE WITH ALL DESA ENTRANCE DOOR PACKAGES, THERMALLY IMPROVED AND NON THERMALLY IMPROVED TYPE.
- SYSTEM ACCOMMODATES FOR BOTH SEALED UNIT AND SPANDREL GLAZING AND ALSO THE DESA 20 SERIES VENT INSERT WINDOW.



1

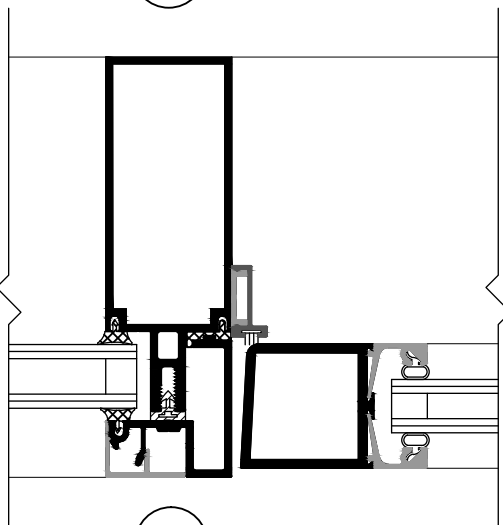


2

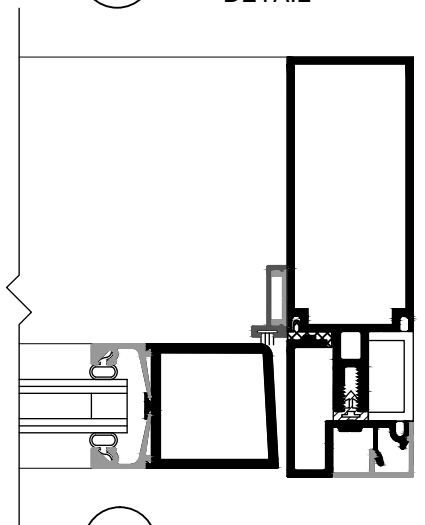


5

SPANDREL  
DETAIL



3



4

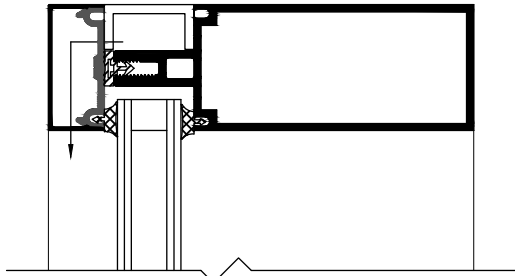
SCALE: 3/8" = 1"



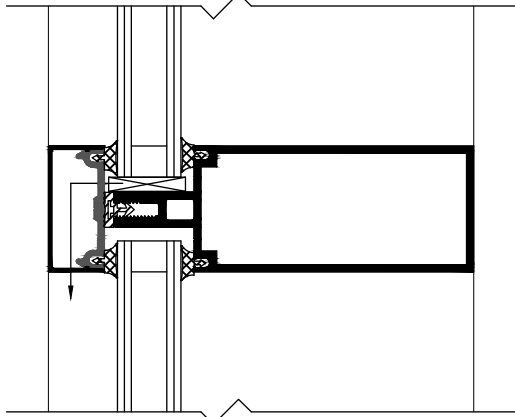
providing innovative solutions that meet client needs.

# 45 SERIES CURTAIN WALL FRAMING DETAILS

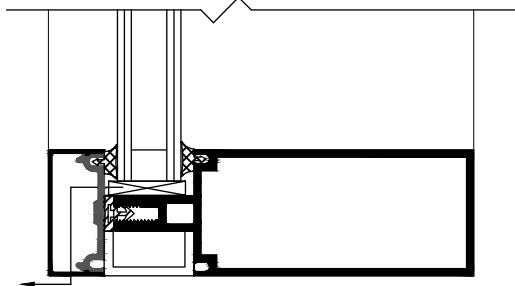
# E3



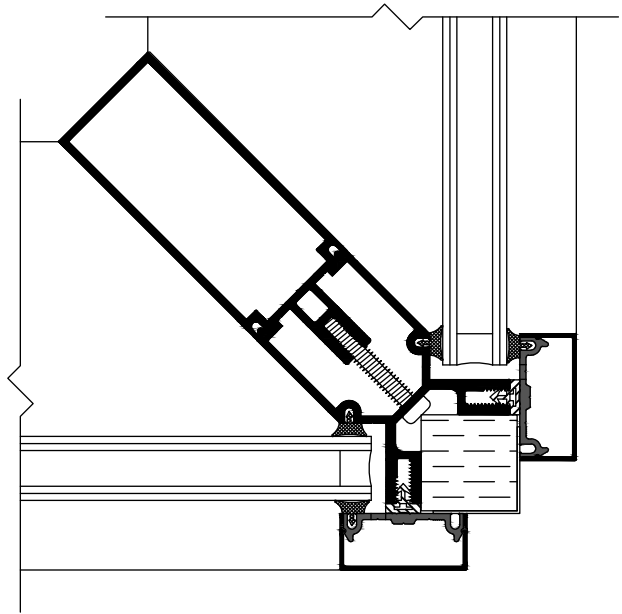
6



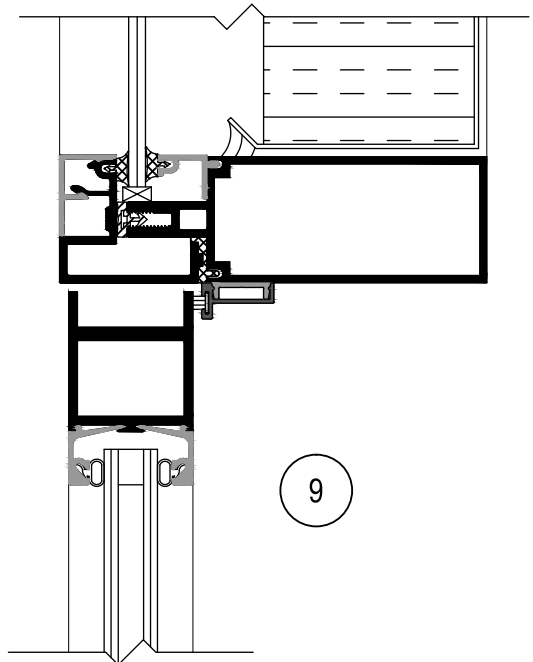
7



8



OPTIONAL CORNER  
ADAPTOR FOR  
90 DEGREE CORNERS



9

SCALE: 3/8" = 1"

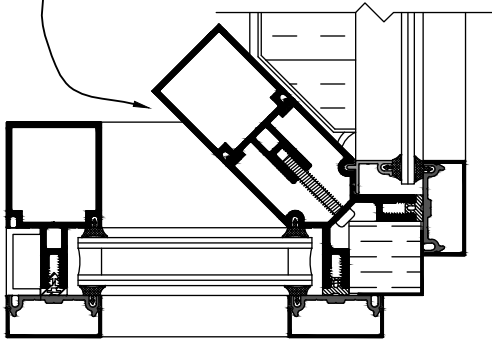


providing innovative solutions that meet client needs.

# 45 SERIES CURTAIN WALL CORNER DETAILS

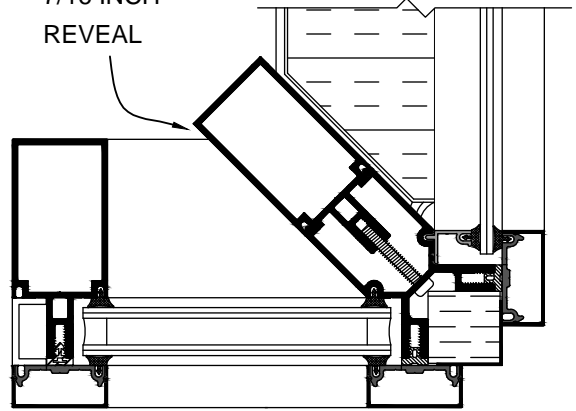
# E4

13/16 INCH  
REVEAL



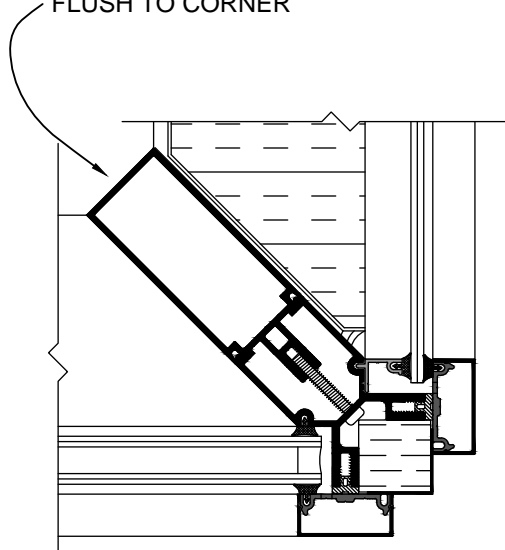
4510

7/16 INCH  
REVEAL



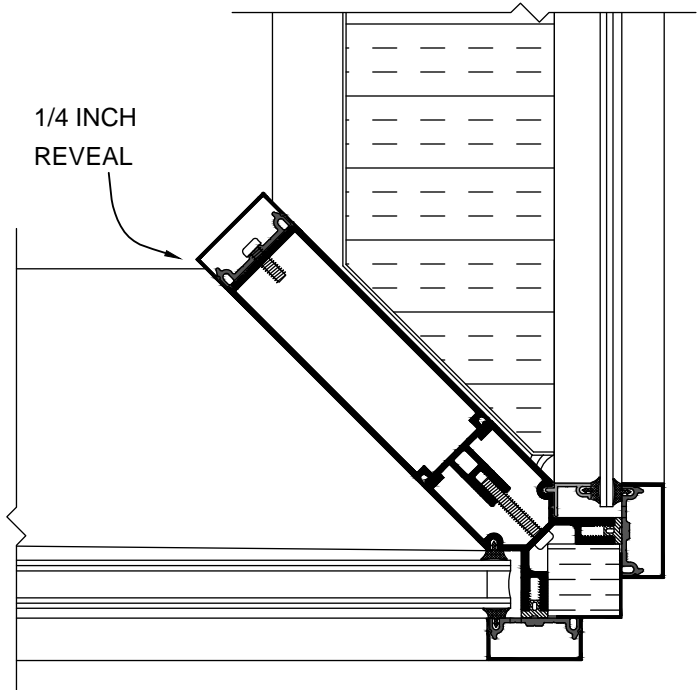
4520

FLUSH TO CORNER



4530

1/4 INCH  
REVEAL



4540

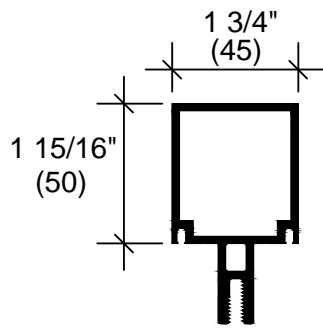
SCALE: 1/4" = 1"



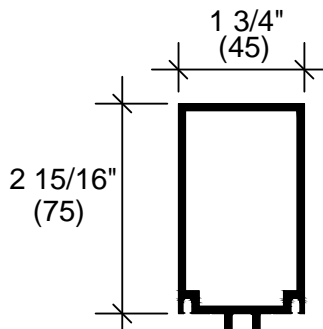
providing innovative solutions that meet client needs.

# 45 SERIES CURTAINWALL FRAMING PARTS

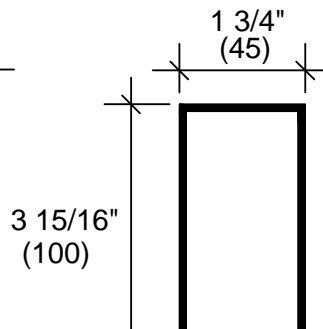
# E5



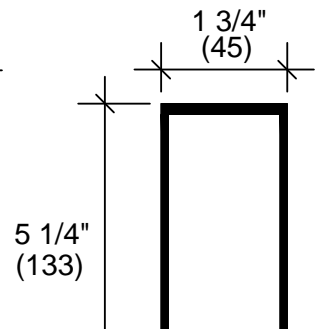
D4510



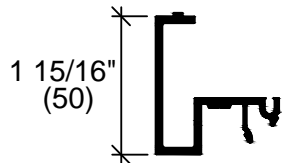
D4520



D4530



D4540



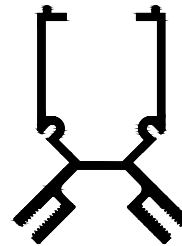
D4580  
DOOR  
ADAPTER



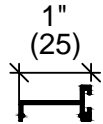
D4505  
PRESSURE  
PLATE



D4501  
SNAP-ON  
CAP



D4560  
CORNER  
ADAPTER



F2008  
DOOR STOP  
COVER



D4585  
DOOR  
ADAPTER  
CAP



D4502  
SNAP-ON  
CAP



TB300  
DOOR ADAPTER  
THERMAL BARRIER



F2009  
DOOR STOP  
BASE



D4570  
SINGLE  
GLAZING  
ADAPTER



TB634  
THERMAL BARRIER



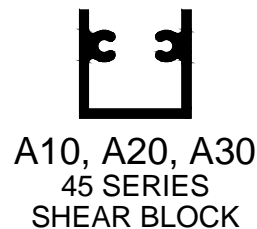
CP10  
CORNER PLUG



MH1  
PILE WEATHERING



N208  
FIXED GLAZING GASKET



A10, A20, A30  
45 SERIES  
SHEAR BLOCK

SCALE: 3/8" = 1"



providing innovative solutions that meet client needs.