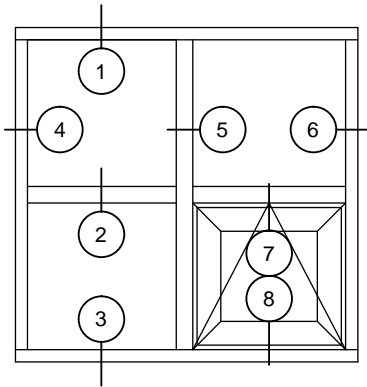
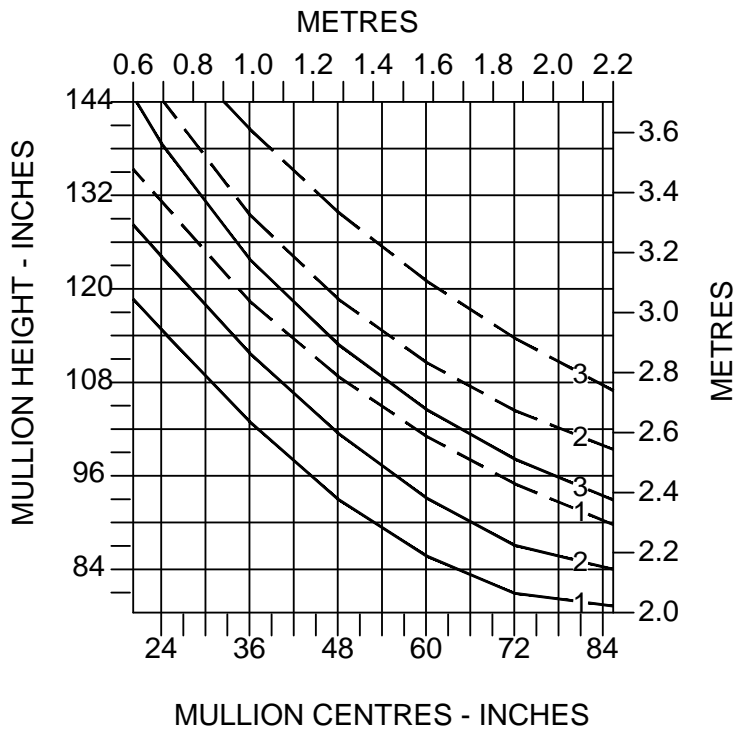
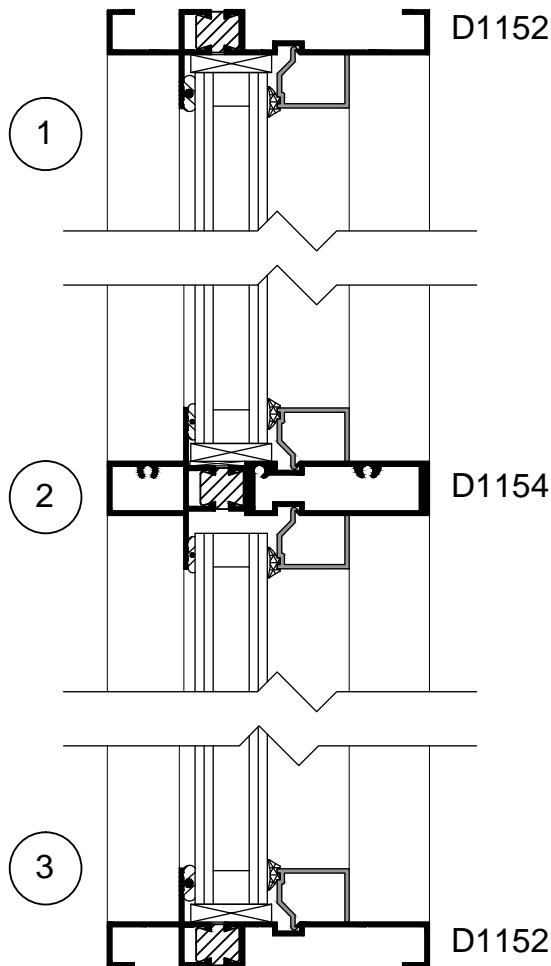


115 SERIES WINDOW FRAMING DETAILS

D9



- 4 1/2" (114) THERMALLY IMPROVED FIXED WINDOW FRAMING SYSTEM FOR SEALED UNIT GLAZING.
- FRAMING SYSTEM CAN BE SPECIFIED FOR BOTH PUNCHED WINDOW AND HORIZONTAL STRIP WINDOW DESIGNS, WITH OR WITHOUT VERTICAL AND HORIZONTAL INTERMEDIATE MULLIONS.
- THE MAIN WINDOW FRAME SECTIONS ARE ROLLED TOGETHER WITH A CELLULAR FOAM P.V.C. AND OFFER THE OPTION OF COMBINING DIFFERENT EXTERIOR AND INTERIOR FINISHES TO THE FRAMING COMPONENTS. OPTIONS CAN INCLUDE USING STRONG EXTERIOR COLOURS COMBINED WITH MORE NEUTRAL INTERIOR TREATMENTS.
- THIS IS A PRIME SEAL WINDOW SYSTEM THAT EMPLOYS AN EXTERIOR PRE- SHIMMED GLAZING TAPE THAT MEETS OR EXCEEDS CSA STANDARD CAN/CSA - A440 WINDOW TESTS FOR AIR AND WATER INFILTRATION.
- SIMPLE SCREW SPLINE JOINERY WITH ALL FRAMING PARTS OFFERS ECONOMICAL FABRICATION AND INSTALLATION.
- SYSTEM ACCEPTS THE 20 SERIES VENT WINDOW INSERT FOR VENTILATING PURPOSES, IF REQUIRED.
- INTERIOR GLAZED SYSTEM PERMITTING EASY SEALED UNIT INSTALLATION AND REPLACEMENT FOR MULTI - STOREY BUILDINGS.



- ① - 1.25 kPa (25 PSF) ——— PLAIN
- ② - 1.00 kPa (20 PSF) - - - - REINFORCED
- ③ - .75 kPa (15 PSF)

SCALE: 3/8" = 1"

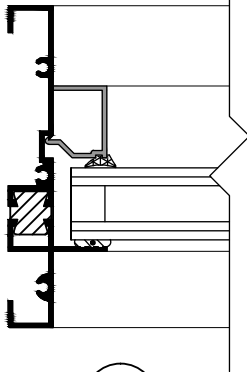


providing innovative solutions that meet client needs.

115 SERIES WINDOW FRAMING DETAILS

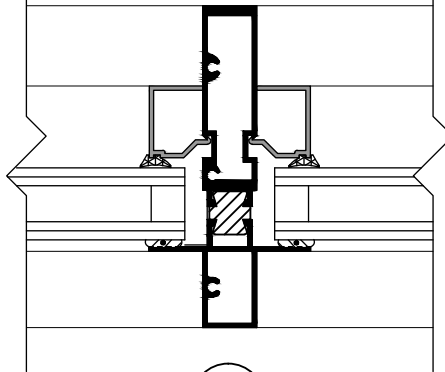
D10

D1153



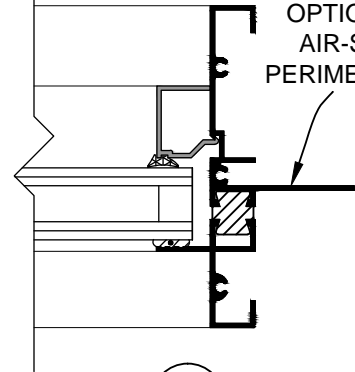
4

D1154



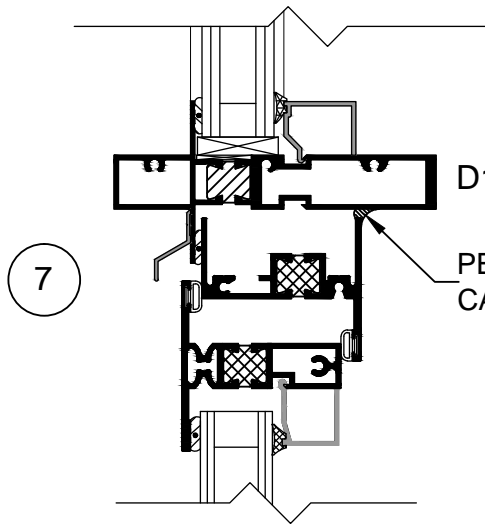
5

D1155



6

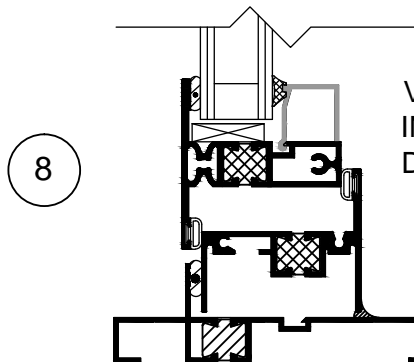
OPTIONAL
AIR-SEAL
PERIMETER



7

D1154

PERIMETER
CAULKING

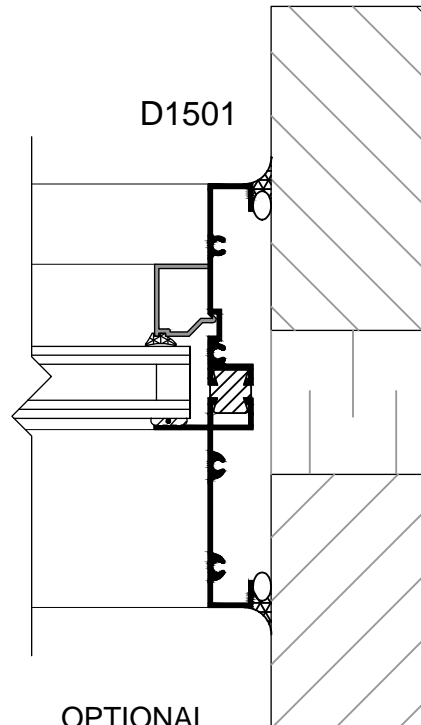


8

VENT
INSERT
DETAILS

D1152

D1501



OPTIONAL
5 7/8"
(149)
PERIMETER

SCALE: 3/8" = 1"



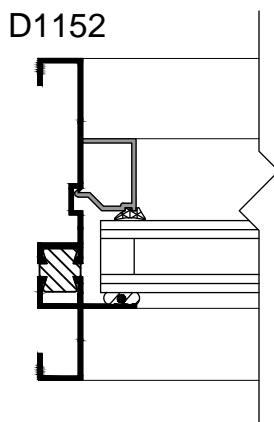
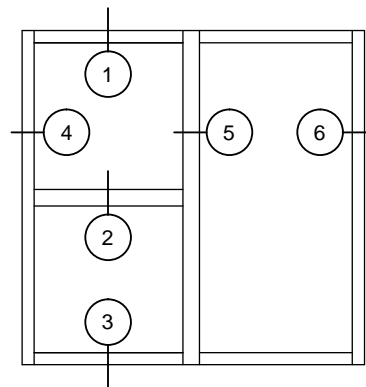
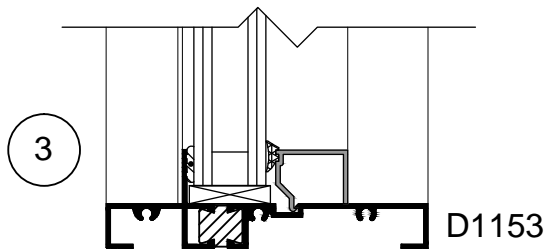
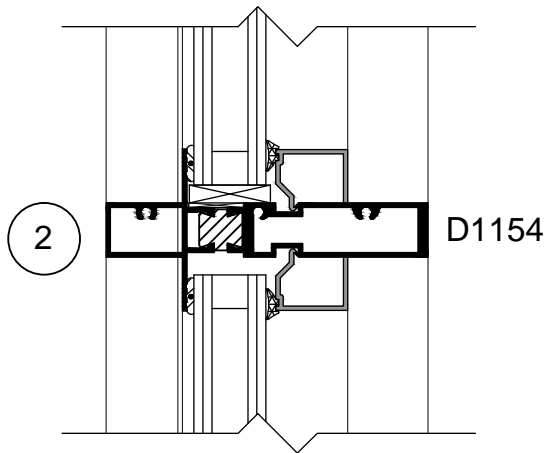
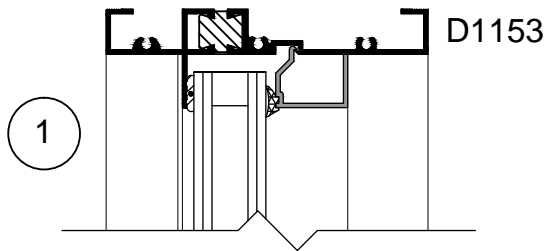
providing innovative solutions that meet client needs.

115 SERIES WINDOW FRAMING DETAILS

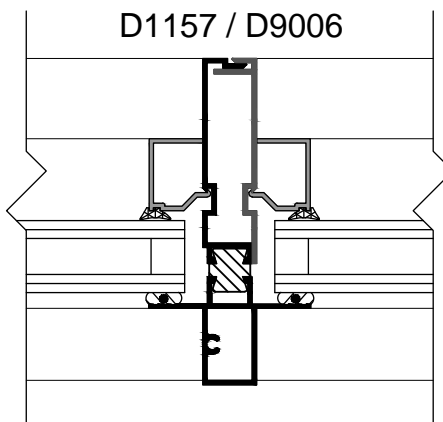
D111

DETAILS USING 9006 - 1157 COUPLING MULLION

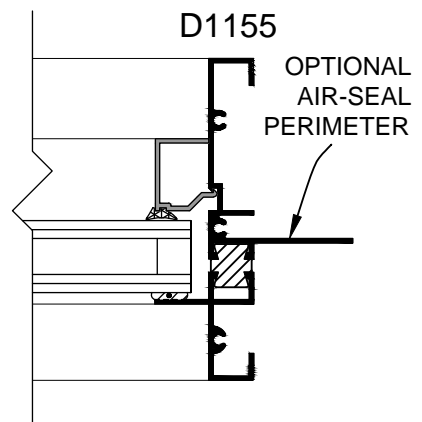
- WHEN USING THE COUPLING MULLION WITH 115 SERIES FRAMES ,
1152 HEAD & SILL EXTRUSION AND 1153 JAMB EXTRUSION MUST BE
INTER- CHANGED TO ACCOMMODATE PROPER FABRICATION.



4



5 COUPLER
MULLION



6

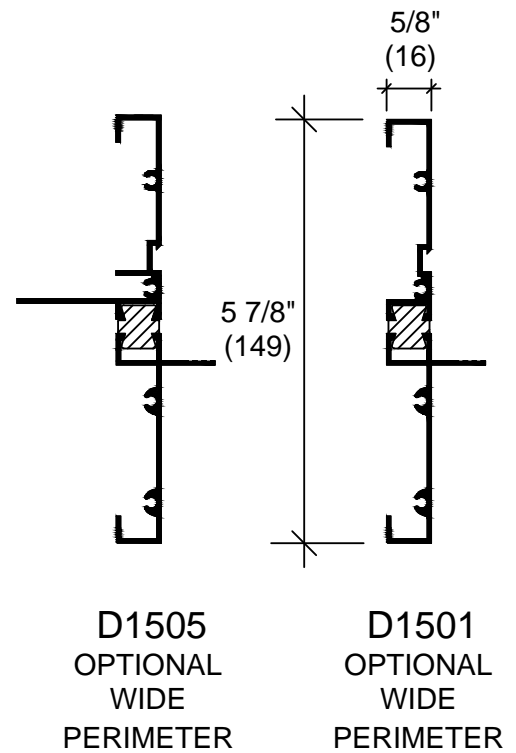
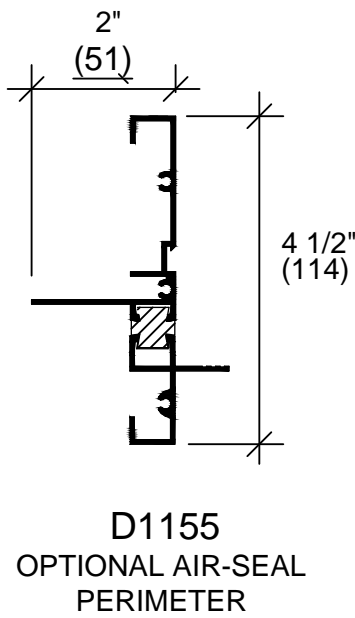
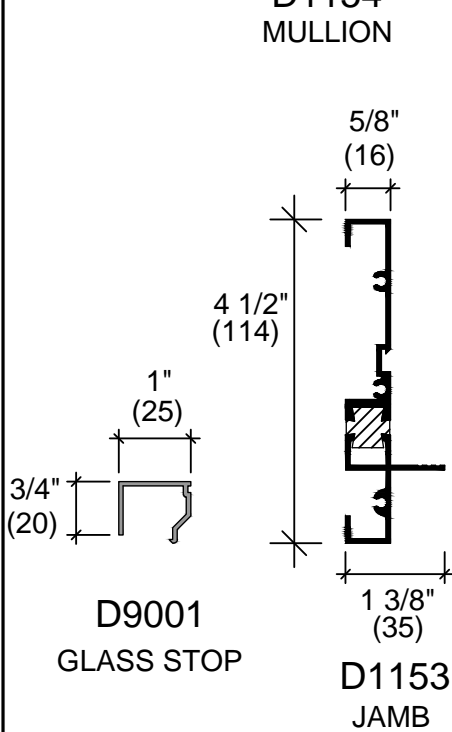
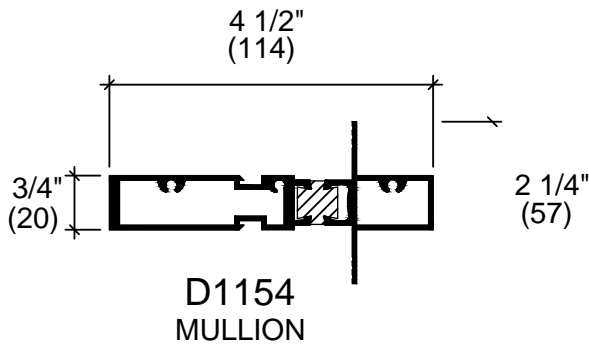
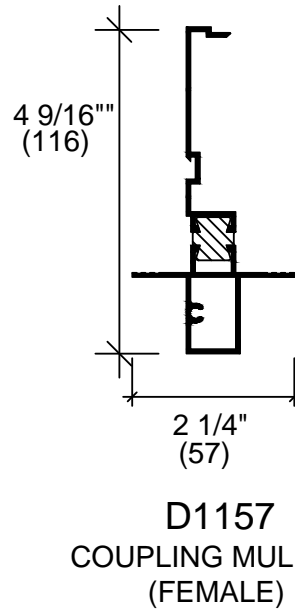
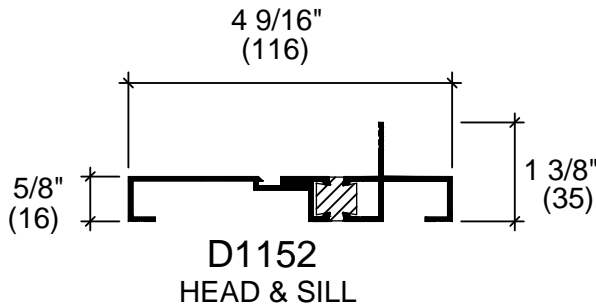
SCALE: 3/8" = 1"



providing innovative solutions that meet client needs.


115 SERIES WINDOW FRAMING PARTS

D12




3/16" SHIM TAPE
FOR HEAD & SILL
1152


1/8" SHIM TAPE
FOR JAMB & MULLION
1153-1154-1155-1501


**N215
ROLL IN
GASKET FOR
1" UNITS**

SCALE: 3/8" = 1"



providing innovative solutions that meet client needs.