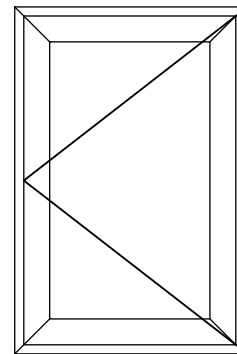
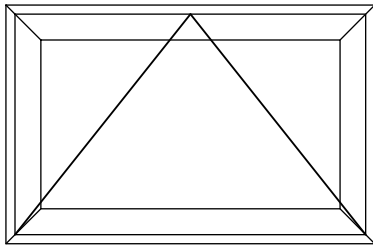


# 20 SERIES VENT WINDOW SYSTEM

# D2

- THE 20 SERIES THERMALLY IMPROVED FRAMING SYSTEM CAN BE USED FOR BOTH PUNCHED WINDOWS AND OPERATING VENT INSERT FRAMES.
- THE MAIN WINDOW FRAME SECTIONS ARE ROLLED TOGETHER WITH A CELLULAR FOAM P.V.C. AND OFFER THE OPTION OF COMBINING DIFFERENT EXTERIOR AND INTERIOR FINISHES TO THE FRAMING COMPONENTS. OPTIONS CAN INCLUDE USING STRONG EXTERIOR COLOURS COMBINED WITH MORE NEUTRAL INTERIOR TREATMENTS.
- VENT INSERTS CAN BE EASILY ADAPTED TO EXISTING FRAMING SYSTEMS IN AREAS THAT REQUIRE IMPROVED AIR FLOW AND VENTILATION.
- THE OPERATING VENT WINDOW CAN BE EITHER TOP OR BOTTOM HUNG OR SIDE HINGED AND CAN BE SPECIFIED TO EITHER PROJECT OUT OR IN.
- COMPLETE SELECTION OF HARDWARE IS AVAILABLE FOR EITHER THE PROJECTED OR SIDE HINGED WINDOW TYPE.
- WINDOW FRAMING IS FACTORY FABRICATED AND ACCURATELY MACHINED AND ASSEMBLED WITH SCREW SPLINE JOINERY PROVIDING WATERTIGHT CONNECTIONS.
- EXTRUDED INSECT SCREEN FRAMES FINISHED TO MATCH WINDOW FRAME ARE AVAILABLE SCREENED WITH GLASSFIBRE MESH AND FITTED WITH A REMOVABLE SPLINE PERMITTING RE-SCREENING.



TOP HUNG OPEN OUT  
TOP HUNG OPEN IN  
BOTTOM HUNG OPEN IN

SIDE HINGED OPEN OUT  
SIDE HINGED OPEN IN

SIZE	WIDTH	HEIGHT
MIN.	20"	16"
MAX.	60"	42"

SIZE	WIDTH	HEIGHT
MIN.	20"	24"
MAX.	30"	64"

TOTAL SQUARE FOOTAGE NOT TO EXCEED 12 SQUARE FEET.

TOTAL SQUARE FOOTAGE NOT TO EXCEED 12 SQUARE FEET.

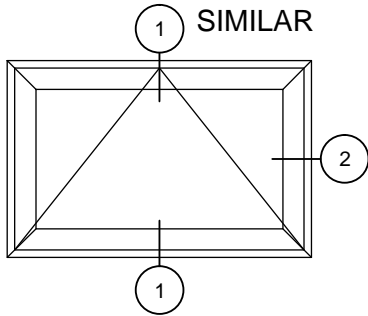
TOP HUNG OPEN OUT VENTS COMPLETE WITH UNDERSCREEN PUSHBARS STANDARD. OPTIONAL PIVOT SHOE ROTO OPERATOR WITH LOCKING HANDLES.

OPEN OUT VENTS COMPLETE WITH ROTO OPERATOR AND LOCKING HANDLE(S). OPEN IN VENTS COMPLETE WITH CAM HANDLES. ALL VENTS COMPLETE WITH INSECT SCREENS.

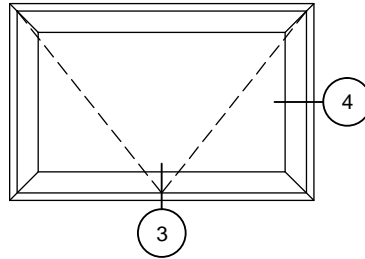


# 20 SERIES VENT DETAILS

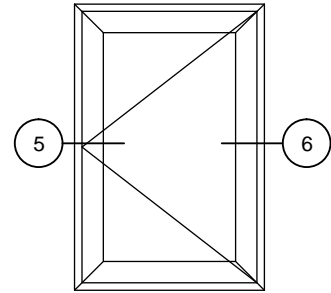
# D3



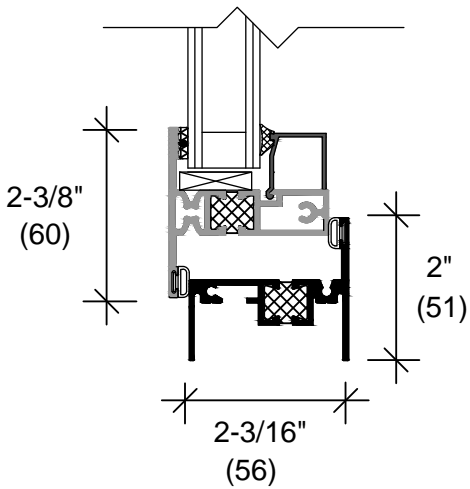
TOP HUNG OPEN OUT  
AWNING



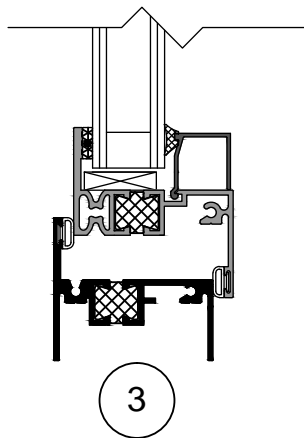
BOTTOM HUNG OPEN IN  
HOPPER



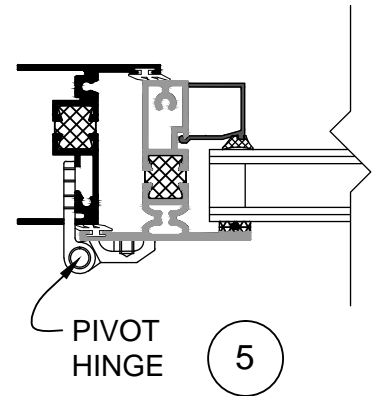
SIDE HINGED OPEN OUT  
CASEMENT



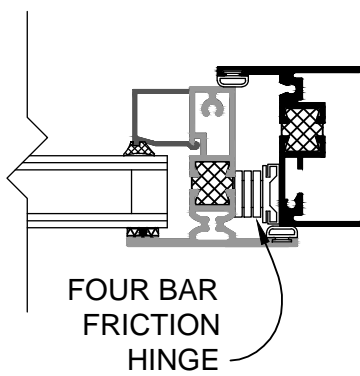
1



3

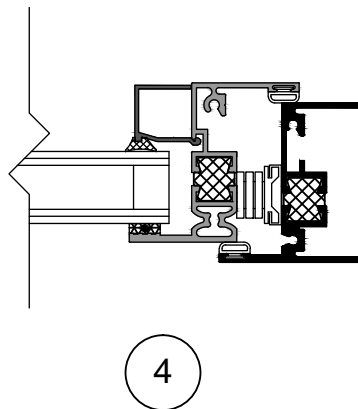


PIVOT  
HINGE 5

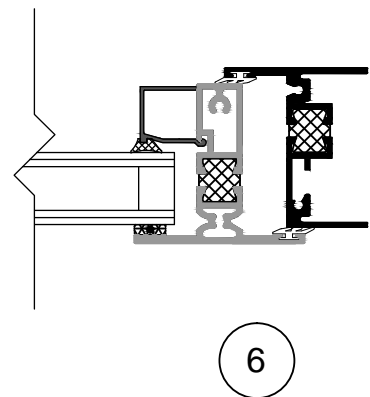


FOUR BAR  
FRICTION  
HINGE 2

2



4



6

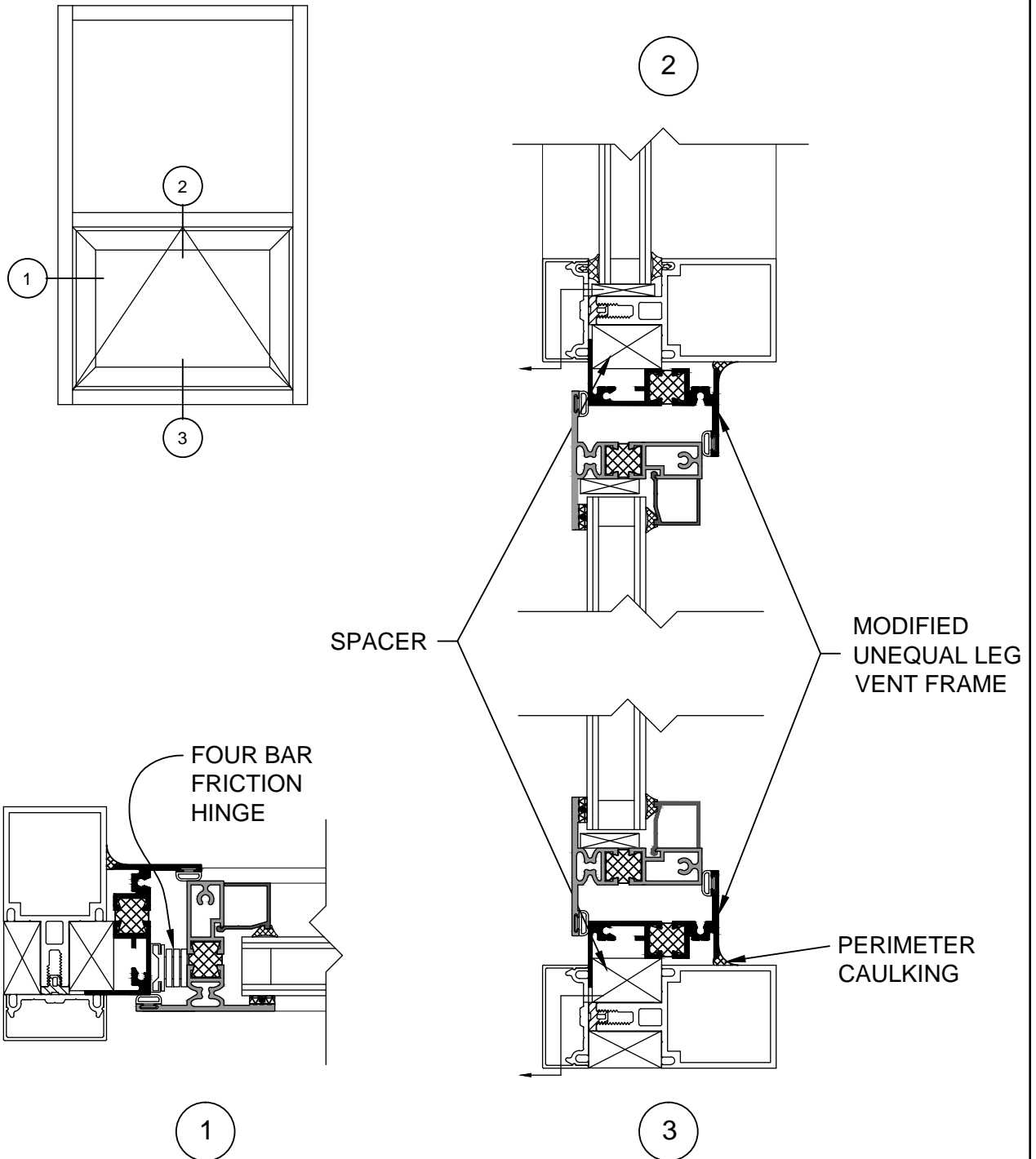
SCALE: 3/8" = 1"



providing innovative solutions that meet client needs.

# 20 SERIES VENT INSERT DETAILS IN 45 SERIES FRAMING SYSTEM

# D4



SCALE: 3/8" = 1"



providing innovative solutions that meet client needs.