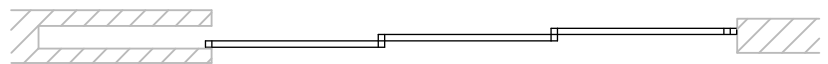
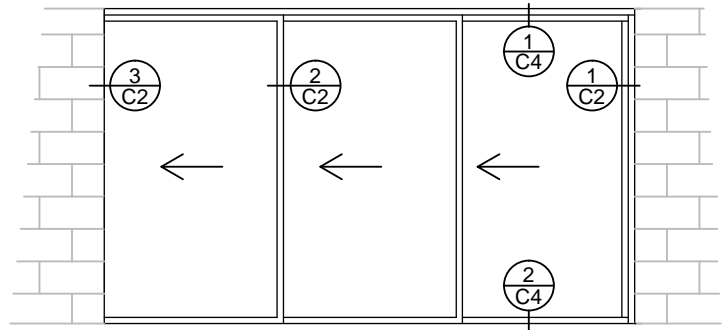


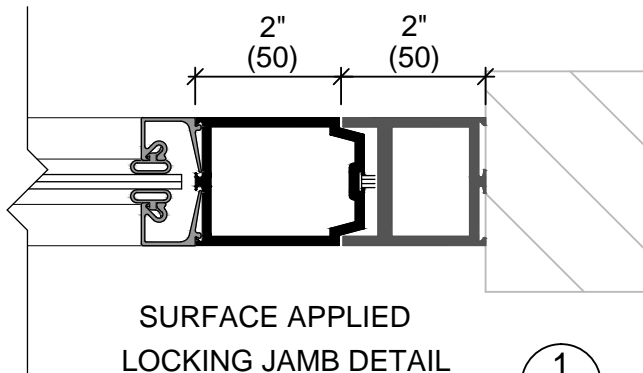
S1000 SERIES SLIDING DOOR DETAILS

C2

- POPULAR AND ECONOMICAL COMMERCIAL MULTI-TRACK SLIDING MALL FRONT FOR INTERIOR USE WITH MAXIMUM SECURITY.
- MOVABLE PANELS ARE MOUNTED ON ADJACENT TRACKS AND CAN SIMPLY SLIDE BEHIND THE END FIXED PANEL(S) OR INTO A PARALLEL STACKING POCKET AREA WHEN OPENED.
- BOTH THE HEAD AND SILL TRACKS CAN EITHER BE FLUSH OR SURFACE MOUNTED.
- HEAVY - DUTY ADJUSTABLE TANDEM ROLLER ASSEMBLY.
- 100 SERIES CENTRE PIVOTED EGRESS DOORS ARE OPTIONAL AND MUST BE MOUNTED IN THE INNERMOST PANEL.
- CLEAR AND BRONZE ANODIZED FINISHES ARE STANDARD. OTHER FINISHES ARE OPTIONAL.



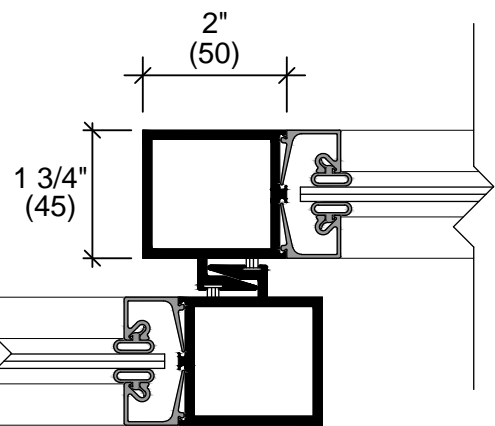
MULTI TRACK STACK IN POCKET



SURFACE APPLIED
LOCKING JAMB DETAIL

1
C2

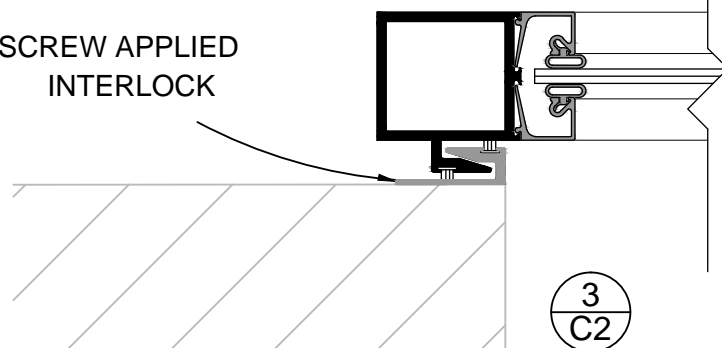
POCKET
JAMB DETAIL



INTERLOCKING STILES

2
C2

SCREW APPLIED
INTERLOCK



3
C2

SCALE: 3/8" = 1"



providing innovative solutions that meet client needs.