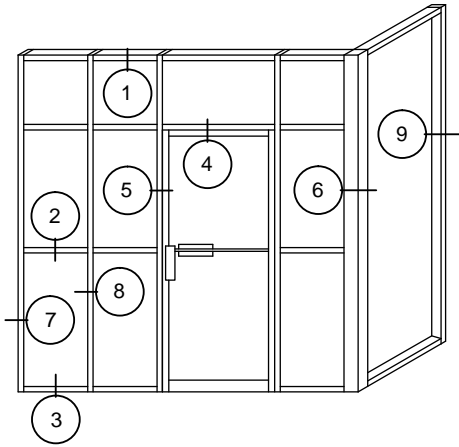
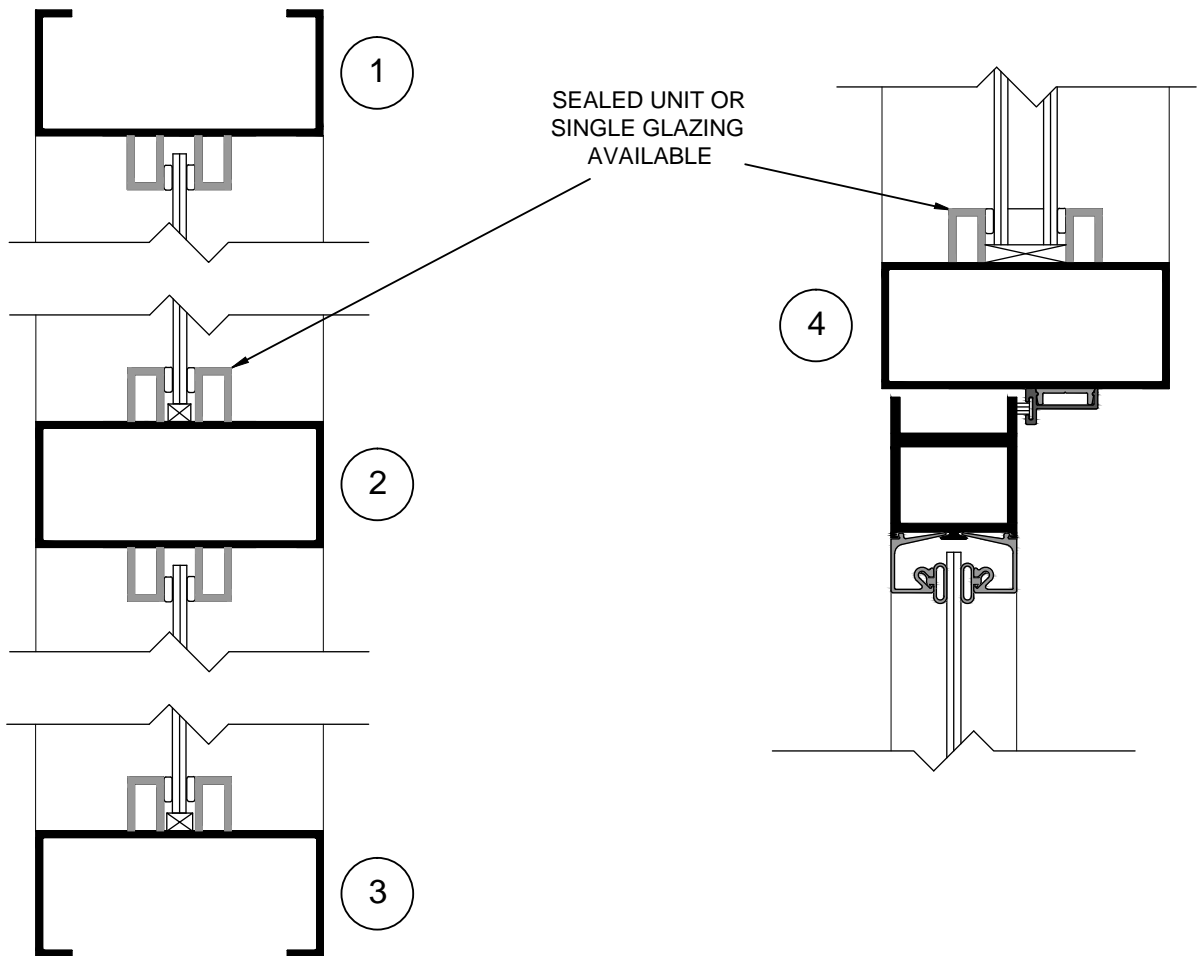


400 SERIES TUBE & STOP DETAILS

B10



- 1 3/4" (45MM) X 4" (102MM) TUBE AND STOP FRAMING SYSTEM.
- SYSTEM HAS 1/2" (13)X 3/4" (19) REMOVABLE GLASS STOPS WHICH ENABLE SEALED UNIT OR SINGLE GLAZING.
- PRIMARILY USED FOR INTERIOR AND VESTIBULE FRAMES, HOWEVER, THE SEALED UNIT GLAZING MAKES THIS SYSTEM A LOW COST ALTERNATIVE FOR STOREFRONTS.
- TOTALLY COMPATIBLE WITH THE DESA 100,350 AND 500 SERIES ENTRANCE DOOR PACKAGES.
- CLEAR AND BRONZE ANODIZED FINISHES ARE STANDARD. OTHER FINISHES ARE OPTIONAL.



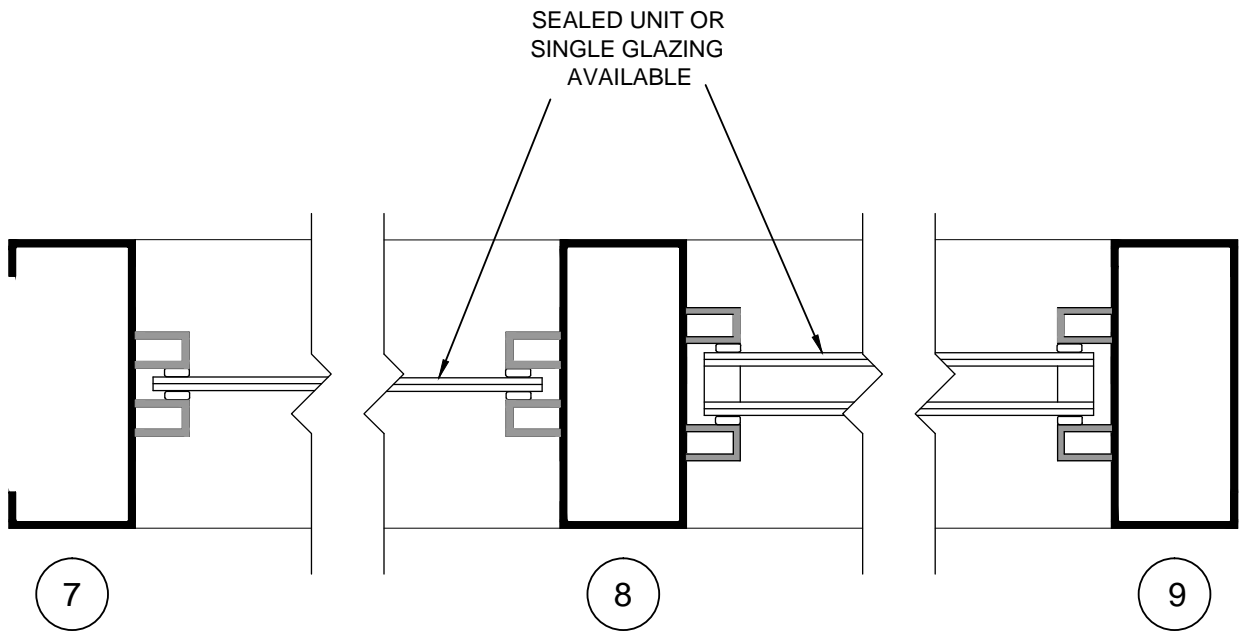
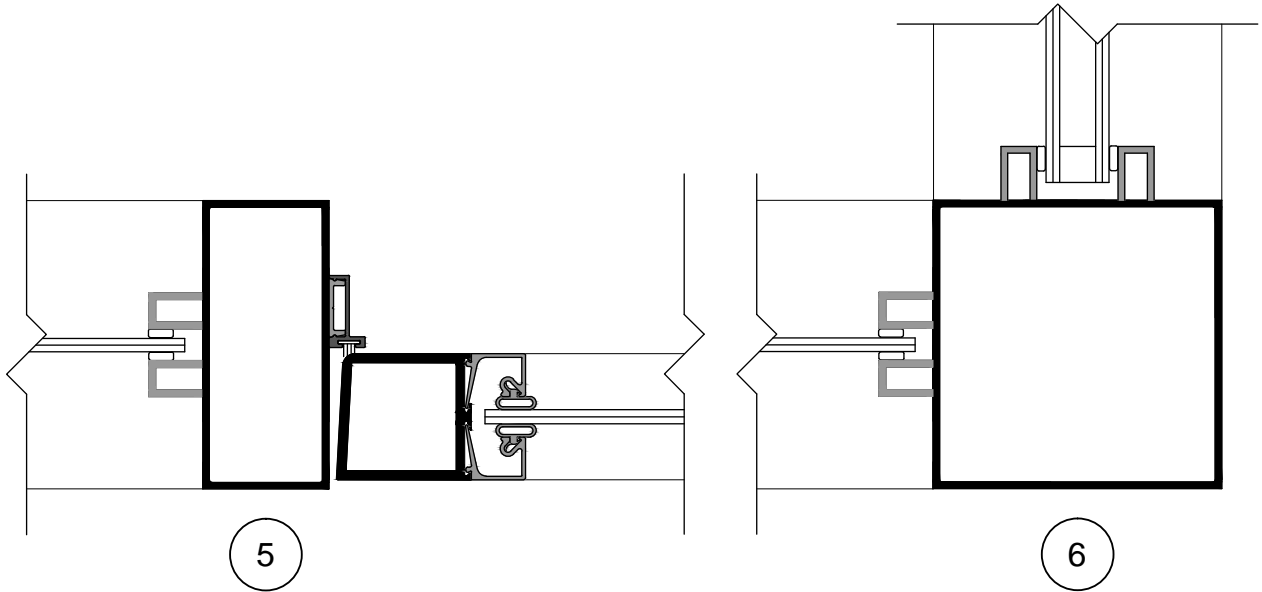
SCALE: 3/8" = 1"



providing innovative solutions that meet client needs.

400 SERIES TUBE & STOP DETAILS

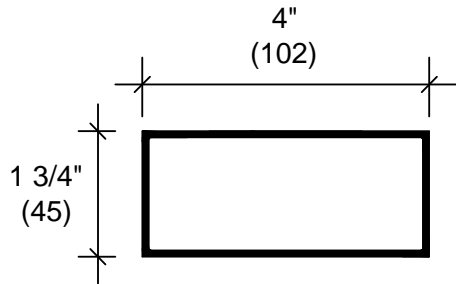
B11



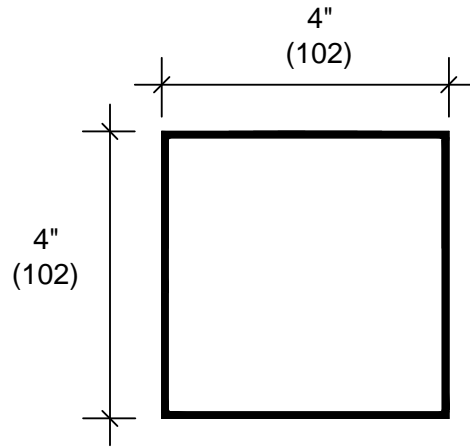
SCALE: 3/8" = 1"



providing innovative solutions that meet client needs.



D401
CLOSED BACK
TUBE



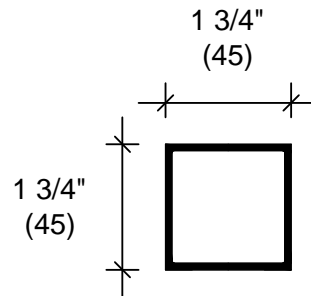
D405
SQUARE
TUBE



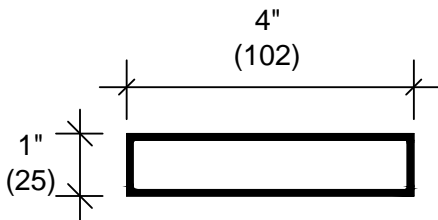
D402
OPEN BACK
TUBE



F2008
DOOR STOP
COVER



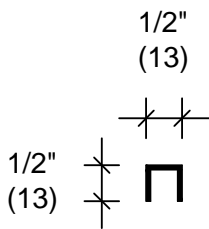
D406
1 3/4 X 1 3/4
TUBE



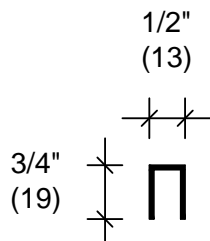
D409
CLOSED BACK
TUBE



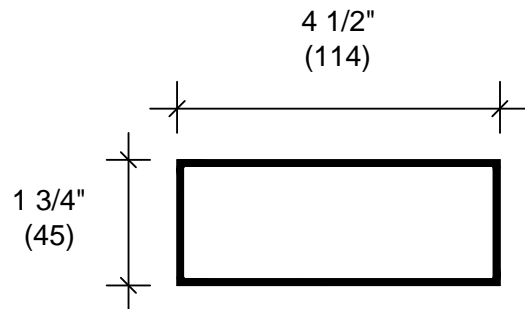
F2009
DOOR STOP
BASE



D408
SCREW APPLIED
STOP



D403
SCREW APPLIED
STOP



D407
CLOSED BACK
TUBE

SCALE: 3/8" = 1"

