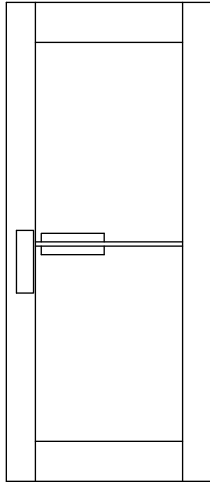


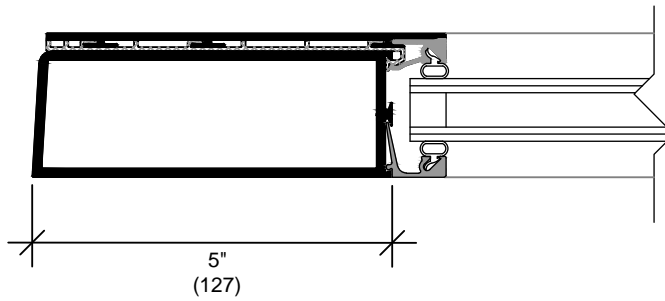
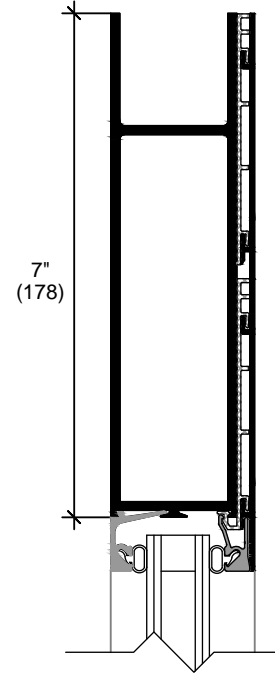
500 T/B SERIES EXTRA WIDE STILE THERMALLY IMPROVED DOOR

A9

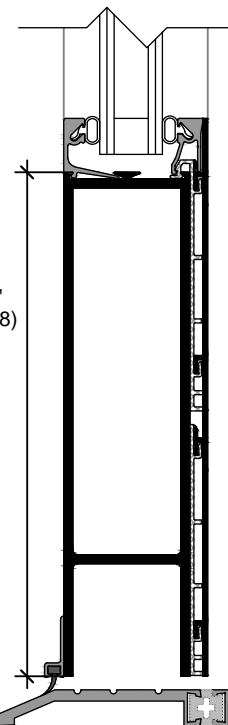


- THE T/B SERIES DOOR HAS BEEN SPECIFICALLY DESIGNED TO PROVIDE AN ENERGY EFFICIENT EXTERIOR ENTRANCE FOR THE CANADIAN CLIMATE.
- A CONTINUOUS RIGID PVC SEPARATOR IS MECHANICALLY SECURED TO THE INTERIOR SIDE OF THE DOOR AT ALL RAILS AND STILES.
- A HEAVY WALL ALUMINUM CLADDING IS INTERLOCKED TO THE PVC SEPARATOR FOR A CLEAN APPEARANCE AND ADDITIONAL STRENGTH.
- FOR SINGLE ACTING ENTRANCE DOORS ONLY (BOTH OFFSET PIVOT AND BUTT HUNG).
- OPTIONAL MID AND BOTTOM RAILS AVAILABLE AND SHOWN ON PAGE A14.
- COMPATIBLE WITH MOST HARDWARE APPLICATIONS AND ALL DESA THERMALLY IMPROVED STOREFRONT SYSTEMS.

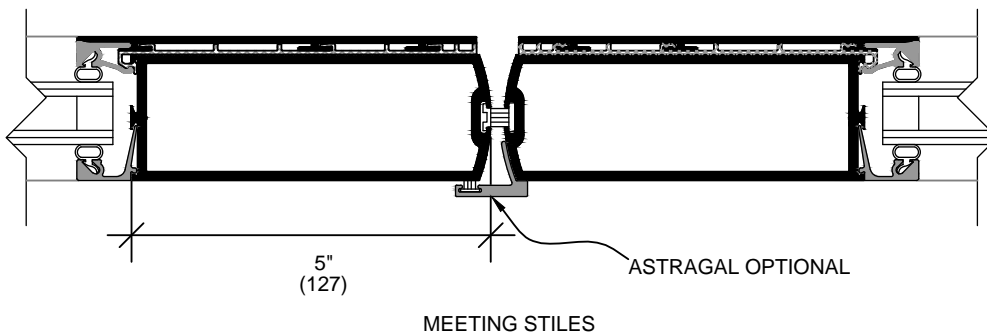
TOP RAIL



STILES (SINGLE ACTING)



BOTTOM RAIL AND THRESHOLD



MEETING STILES

ASTRAGAL OPTIONAL

SCALE: 3/8" = 1"



providing innovative solutions that meet client needs.