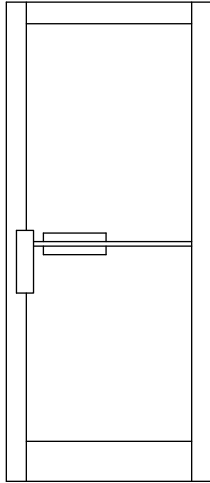
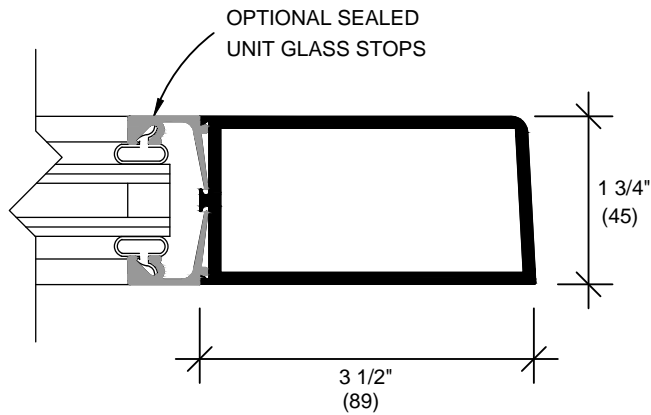


# 350 SERIES WIDE STILE DOOR

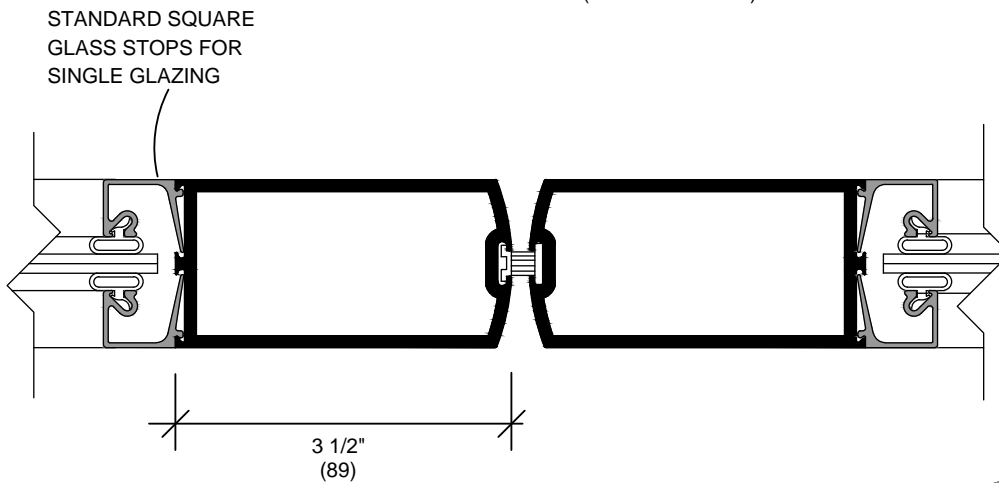
# A5



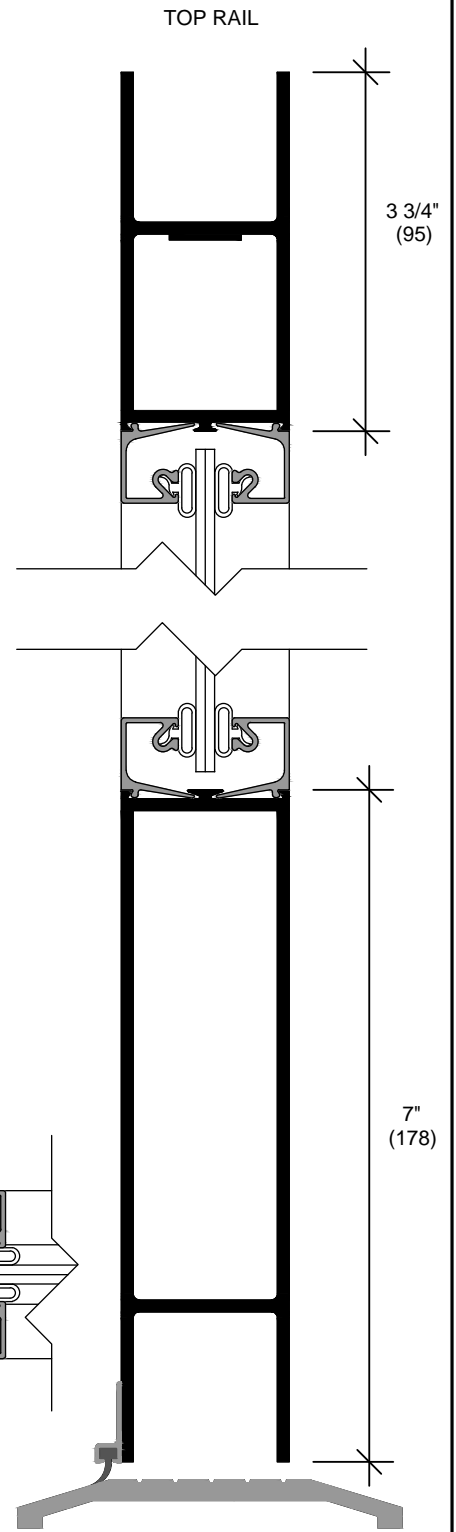
- OUR WIDE STILE DOOR PROVIDES THE EXTRA STRENGTH AND DURABILITY REQUIRED FOR THE HIGH TRAFFIC USAGE FOUND ON INSTITUTIONAL AND RETAIL APPLICATIONS.
- THE ADDITION OF INTERMEDIATE PIVOT OR BUTT HINGE IS RECOMMENDED FOR HIGH TRAFFIC CONDITIONS.
- ALONG WITH ACCOMMODATING ALL OUR STANDARD HARDWARE, THIS DOOR WITH ITS WIDER STILE WILL ALSO ACCEPT A LARGE SELECTION OF INSTITUTIONAL PANIC DEVICE PRODUCTS .
- AVAILABLE WITH VARIOUS TOP, MID AND BOTTOM RAILS SHOWN ON PAGE A13.
- SINGLE GLAZING STOPS ARE SUPPLIED AS STANDARD WITH SEALED UNIT STOPS AS OPTIONAL.
- STANDARD FINISHES INCLUDE CLEAR, BRONZE AND BLACK ANODIZED WITH OPTIONAL LIGHT BRONZE AND PAINTED FINISHES AVAILABLE.
- COMPATIBLE WITH ALL DESA STOREFRONT FRAMING SYSTEMS.



STILES (SINGLE ACTING)



MEETING STILES



SCALE: 1/2" = 1"



providing innovative solutions that meet client needs.