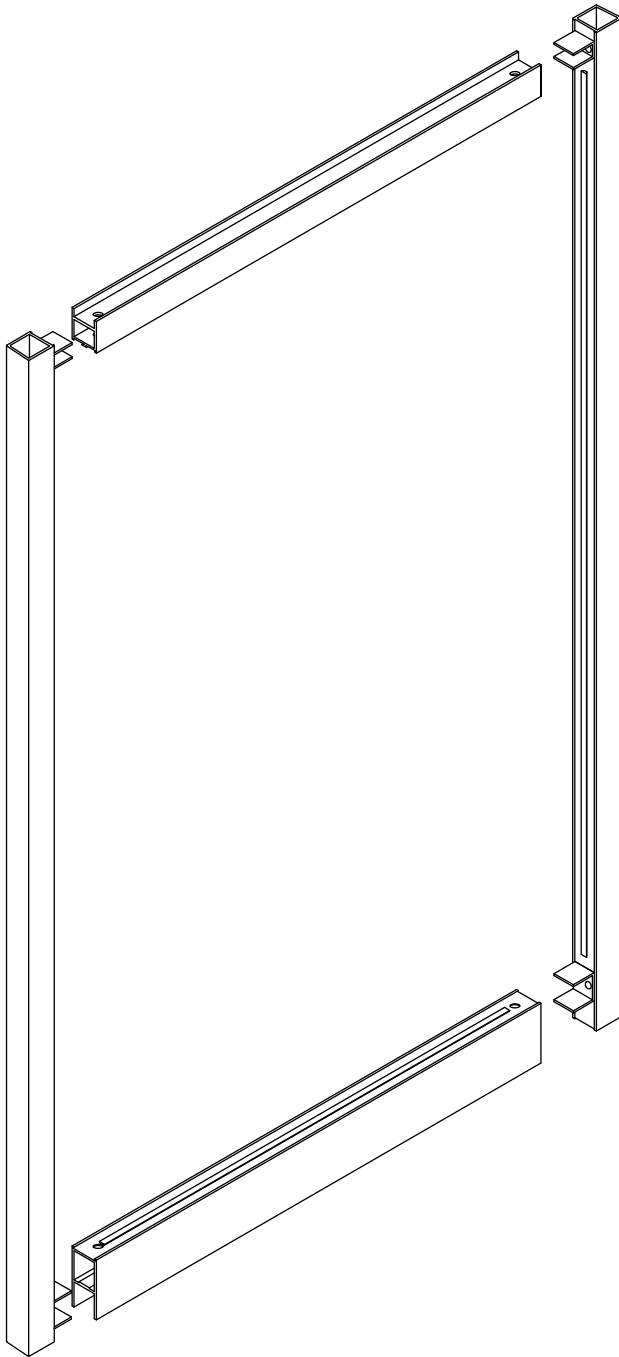
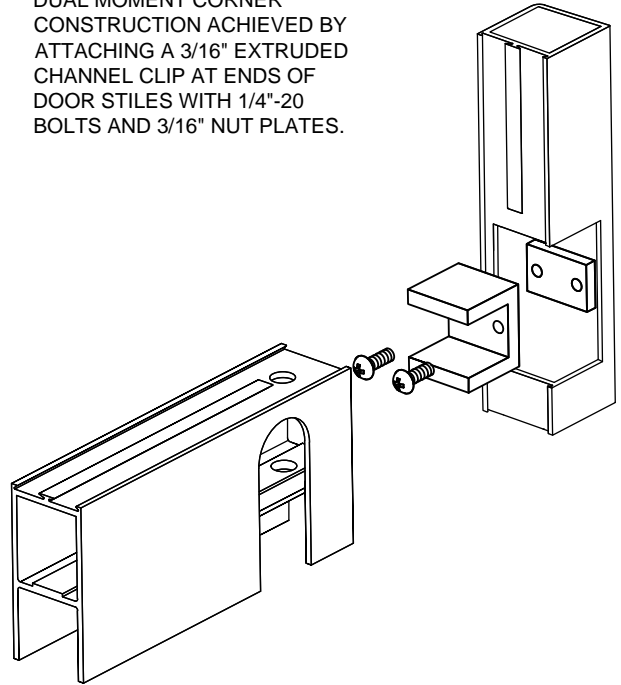


100 SERIES DOOR IS ILLUSTRATED  
ALL DESA DOORS ARE SIMILAR



DUAL MOMENT CORNER  
CONSTRUCTION ACHIEVED BY  
ATTACHING A 3/16" EXTRUDED  
CHANNEL CLIP AT ENDS OF  
DOOR STILES WITH 1/4"-20  
BOLTS AND 3/16" NUT PLATES.



BOTH TOP AND BOTTOM RAILS  
ARE ACCURATELY POSITIONED  
OVER THE CHANNEL CLIPS  
PRIOR TO APPLYING BOTH THE  
FILLET WELDS AT THE TOP  
AND BOTTOM RAIL WEBS AND  
THE DEEP PENETRATION PLUG  
WELDS TOP AND BOTTOM  
PROVIDING AN EXTRA HIGH  
STRENGTH CORNER JOINT.  
(FOUR WELDS PER CORNER)

