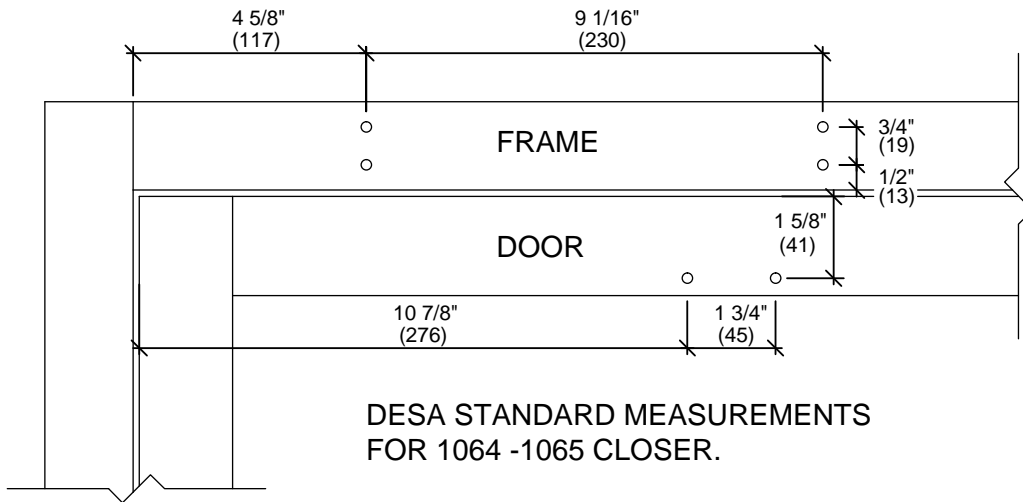
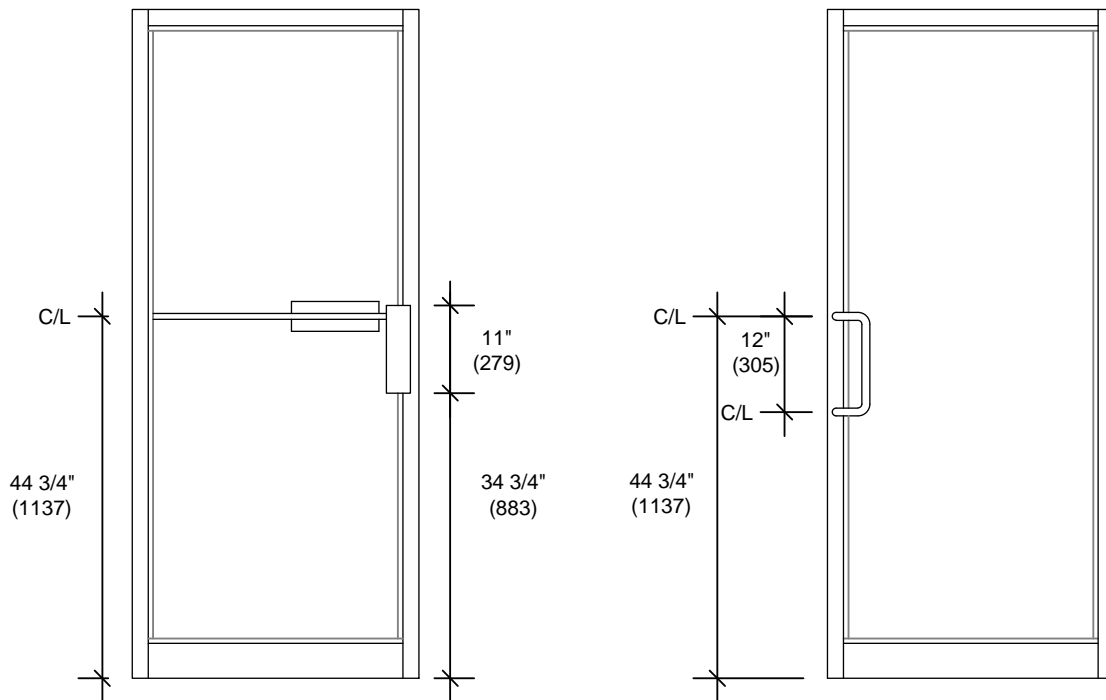


STANDARD CLOSER AND HANDLE PREP INFORMATION

A12



STANDARD PUSH - PULL PREP LOCATIONS



OFFSET PULL LOCATION
VARIES WITH PANIC HARDWARE



providing innovative solutions that meet client needs.