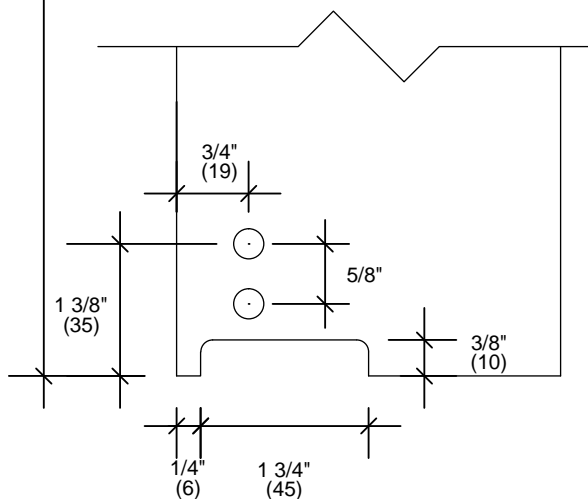
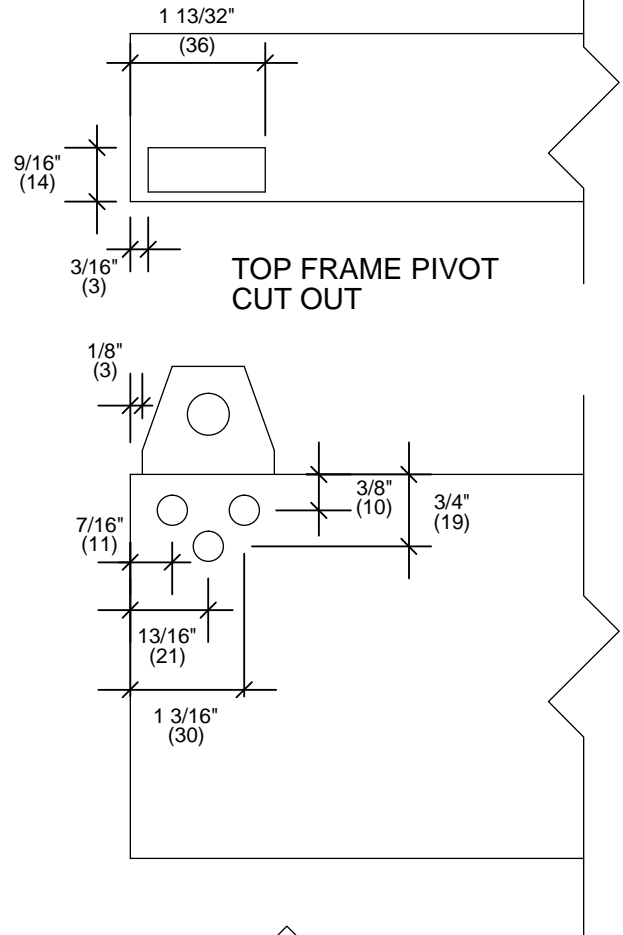
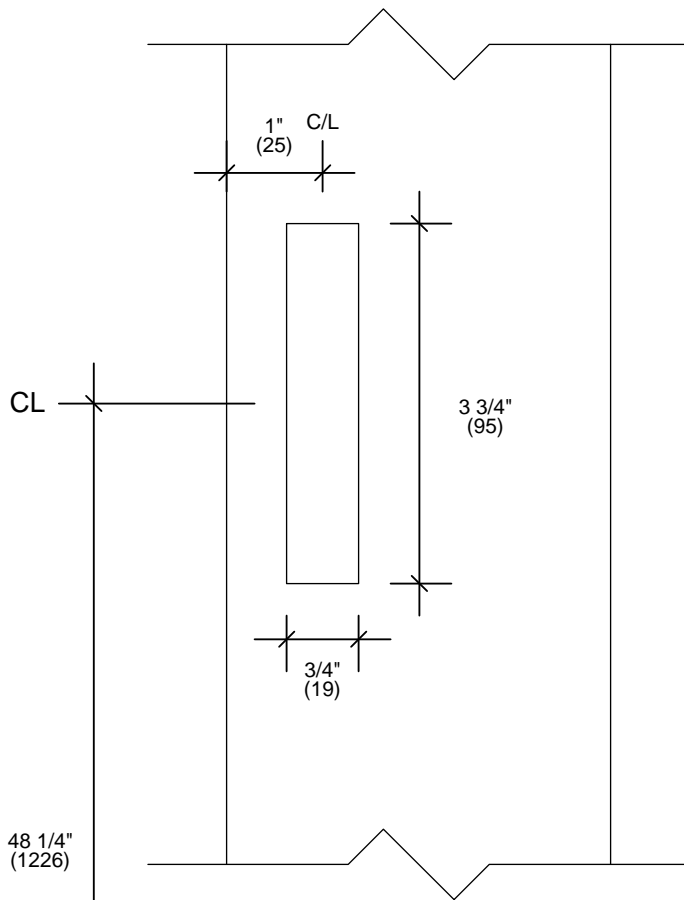


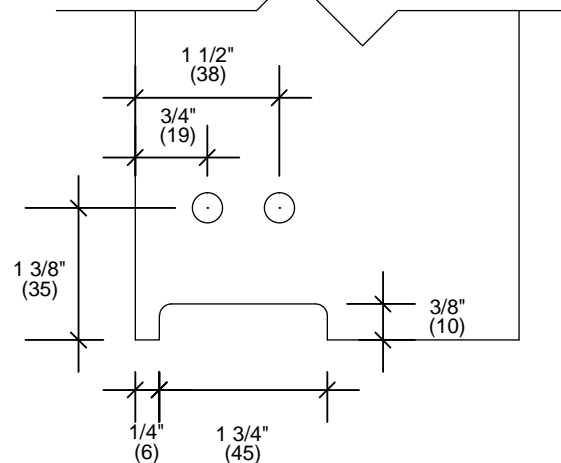
# OFFSET PIVOT AND LOCK PREP INFORMATION

# A11

## STANDARD M.S. LOCK CUTOUT



**BOTTOM FRAME PIVOT  
CUT OUT (1/8" RECESS MOUNT)  
FOR 3100 NARROW TAB PIVOT**



**BOTTOM FRAME PIVOT  
CUT OUT (1/8" RECESS MOUNT)  
FOR 2600 WIDE TAB PIVOT**

SCALE: 1/2" = 1"



providing innovative solutions that meet client needs.